

500DA-HD, 500DA-HD-N

HD/SD-SDI Reclocking & Non-Reclocking Distribution Amplifier (1x8)

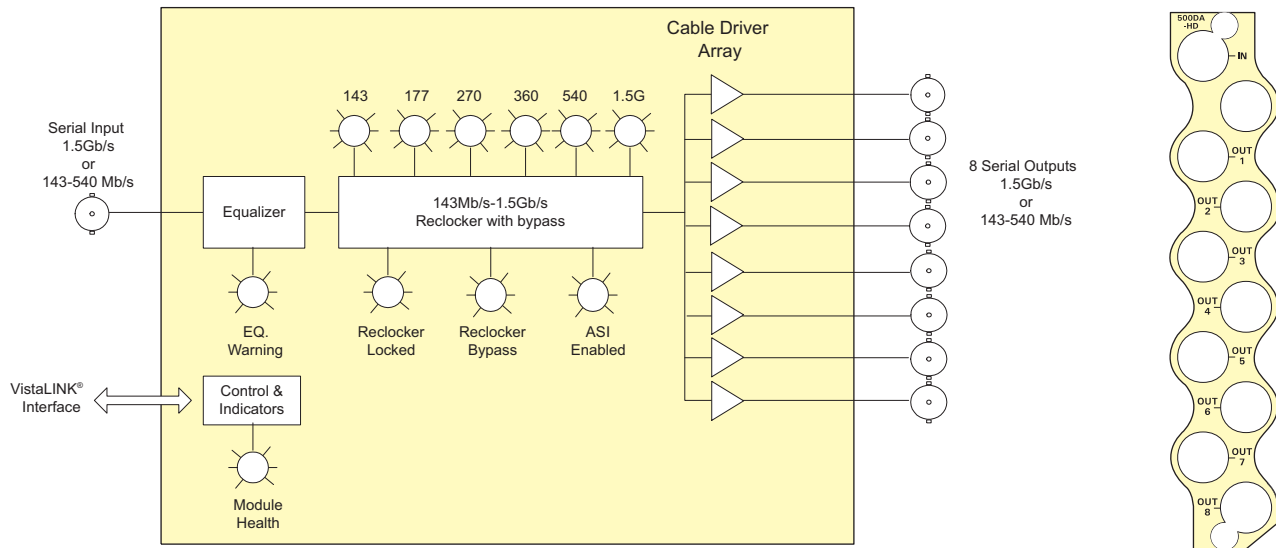
The 500DA-HD Reclocking Distribution Amplifier provides reliable distribution of your HD and SD SDI video signal at rates of 1.5Gb/s and 143Mb/s to 540Mb/s. The DA features an auto-equalized input with eight serial outputs.

The 500DA-HD DAs are housed in the 3RU 500FR frame that will hold up to 16 modules.

The 500DA-HD has been designed for use as a SMPTE 292M (1.5Gb/s), DVB-ASI, SMPTE 259M, or SMPTE 310M distribution product.

► Features & Benefits

- Normal mode for SMPTE 259M (143-540Mb/s) or SMPTE 292M (1.5Gb/s) signals - autodetects correct bitrate
- Jumper selectable mode for DVB-ASI
- Jumper selectable non-reclock mode for SMPTE 310M (19.4Mb/s) signals or any other SDI signal within the 143Mb/s to 1.5Gb/s range
- Fully hot-swappable from front of frame with no BNC disconnect required
- Independent isolated output drivers to ensure no cross channel loading effects (i.e. no need to terminate unused outputs)
- Tally output on Frame Status bus upon loss of input signal for quality monitoring
- VistaLINK® -capable for remote monitoring via SNMP (using VistaLINK® PRO) when installed in 500FR frame with 500FC VistaLINK® Frame controller



► Specifications

Serial Video Inputs:

Standards: SMPTE 292M (1.5Gb/s), SMPTE 259M (143 to 360Mb/s), SMPTE 344M (540Mb/s), DVB-ASI
 Connector: 1 BNC per IEC 61169-8 Annex A
 Equalization: Automatic to 350m @ 270Mb/s, 110m @ 1.5Gb/s with Belden 1694A (or equivalent)
 Return Loss: > 15dB up to 1.0Gb/s, > 10dB up to 1.5Gb/s

Serial Video Outputs:

Number of Outputs: 8 (Optionally reclocked)
 Connector: BNC per IEC 61169-8 Annex A
 Signal Level: 800mV nominal
 DC Offset: 0V ±0.5V
 Rise and Fall Time: 200ps nominal
 Overshoot: < 10% of amplitude
 Return Loss: > 10dB up to 1.5Gb/s
 Wide Band Jitter: < 0.2 UI

Electrical:

Voltage: +12V DC
 Power: 5W
 EMI/RFI: Complies with FCC Part 15 Class A and EU EMC directive

Physical:

Number of slots: 1

► Ordering Information

500DA-HD HD/SD SDI Reclocking Distribution Amplifier (1x8)
500DA-HD-N HD/SD-SDI Non-Reclocking Distribution Amplifier (1x8)

Enclosures
500FR
S501FR

exponent
 Compact High Density Distribution Frame
 Standalone enclosure

Accessories:
500FC
CP-2116E-H
CP-2232E

VistaLINK® Frame Controller
 Remote Control Panel
 Remote Control Panel