



The 500DA-AESU is a nine output reclocking and auto equalizing DA for unbalanced 75Ω AES signals. The DA automatically equalizes up to 1500m of Belden 1694A coax and provides reclocked outputs with sampling frequencies of 32kHz, 44.1kHz, 48kHz and 96kHz. The 500DA-AESU card edge LED indicators provide quick and accurate assessment of the incoming signal integrity.

The 500DA-AESU is housed in the 3RU 500FR **exponent** frame that will hold up to 16 modules.

►Features & Benefits

- Data reclocking provides jitter reduction
- VistaLINK® -capable for remote monitoring via SNMP (using VistaLINK® PRO) when installed in 500FR frame with 500FC VistaLINK® Frame Controller

Inputs

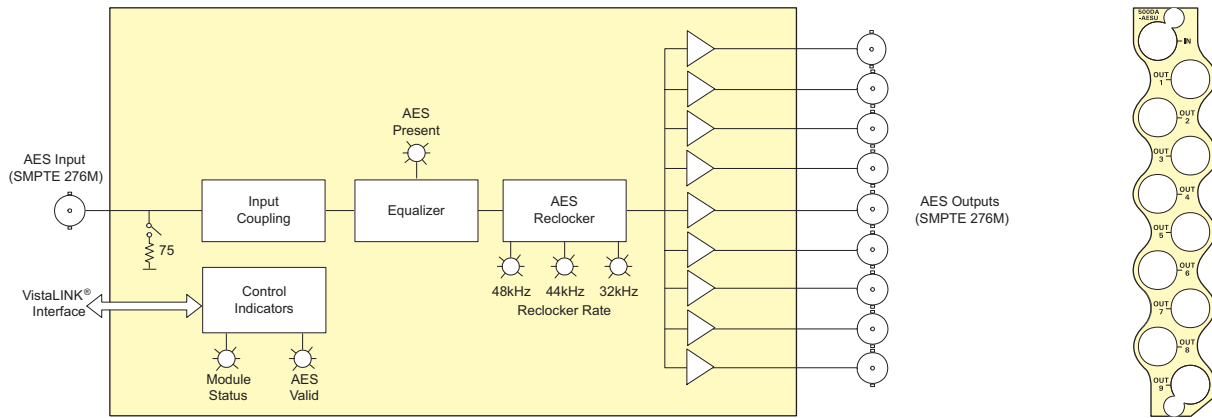
- SMPTE 276M standard for AES audio on 75Ω coax
- EQ and reclock provide extended cable length compensation (> 1500m)
- Transformer coupled 75Ω unbalanced input

Outputs

- Nine 75Ω coax outputs

Card Edge LEDs

- Module Health Status
- Error LED indication for input PLL out of lock, parity error or biphas coding error
- Reclocker locked



►Specifications

AES Input:

Standard: SMPTE 276M
 Number of Inputs: 1
 Connector: BNC per IEC 61169-8 Annex A
 Input Level: 1V p-p
 Coupling: Transformer
 Input Impedance: 75Ω
 Return Loss: > 25dB 100kHz to 6MHz
 Equalization: Automatic to 1500m with Belden 1694A (or equivalent) @ 48kHz AES signal
 Sampling Frequency: 32kHz, 44.1kHz, 48kHz and 96kHz

AES Output:

Number of Outputs: 9 Unbalanced AES
 Connector: BNC per IEC 61169-8 Annex A
 Output Level: 1V p-p
 Output Impedance: 75Ω
 Return Loss: > 25dB 100kHz to 6MHz

Physical:

Number of slots: 1

Electrical:

Voltage: +12V DC
 Power: 4.51W
 EMI/RFI: Complies with FCC Part 15 Class A EU EMC Directive

►Ordering Information

500DA-AESU Unbalanced AES Audio Distribution Amplifier (1x9)

Accessories:

500FC VistaLINK® Frame Controller
CP-2116E-H Remote Control Panel
CP-2232E Remote Control Panel

Enclosures
500FR
S501FR

exponent
 Compact High Density Distribution Frame
 Standalone enclosure