

500DA-AESB

Balanced AES Audio Distribution Amplifier (1x4)

The 500DA-AESB is a four output reclocking and auto equalizing DA for balanced 110Ω AES signals. The DA automatically equalizes up to 300m of Belden 1800B cable and provides reclocked outputs with sampling frequencies of 32kHz, 44.1kHz, 48kHz and 96kHz. The 500DA-AESB card edge LED indicators provide quick and accurate assessment of the incoming signal integrity.

The 500DA-AESB is housed in the 3RU 500FR **exponent** frame that will hold up to 16 modules.

►Features & Benefits

- Data reclocking provides jitter reduction
- VistaLINK® -capable for remote monitoring via SNMP (using VistaLINK® PRO) when installed in 500FR frame with 500FC VistaLINK® Frame Controller

Inputs

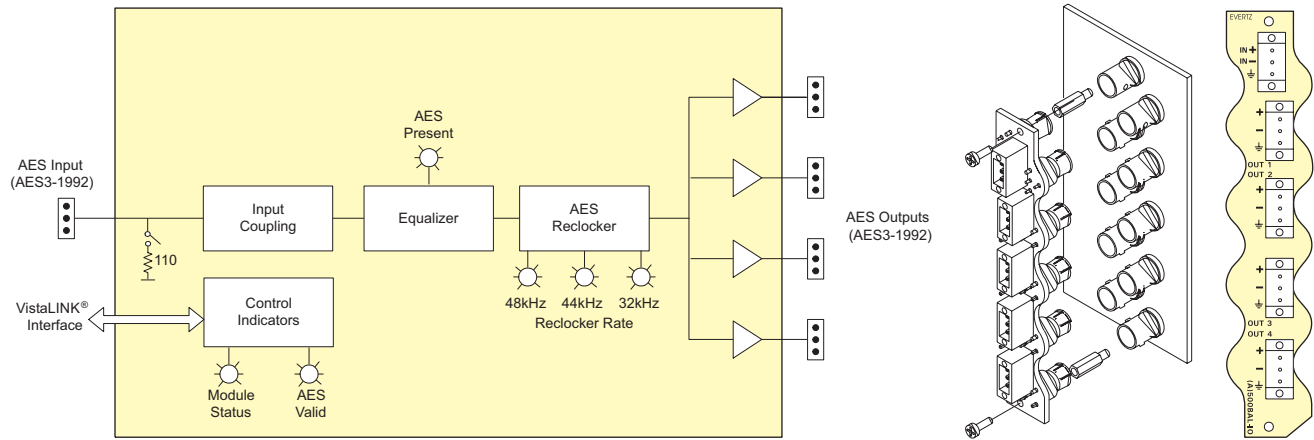
- AES3-1992 standard for AES audio on 110Ω twisted pair cable
- EQ and reclock provide extended cable length compensation (> 300m)
- Transformer coupled 110Ω balanced input

Outputs

- Four 110Ω balanced

Card Edge LEDs

- Module Health Status
- Error LED indication for input PLL out of lock, parity error or biphas coding error
- Reclocked locked



►Specifications

AES Input:

Standard: AES3-1992
Number of Inputs: 1
Connector: 3-pin removable terminal strip
Input Level: 2 to 7V p-p
Coupling: Transformer
Input Impedance: 110Ω
Return Loss: > 14dB 100kHz to 6MHz
Equalization: Automatic to 300m with Belden 1800B (or equivalent) @ 48kHz AES signal

Sampling Frequency: 32kHz, 44.1kHz, 48kHz and 96kHz

AES Output:

Number of Outputs: 4 Balanced AES reclocked
Connector: 3-pin removable terminal strip (screwdown adapter module included)
Output Level: 5V p-p
Output Impedance: 110Ω
Return Loss: > 30dB 100kHz to 6MHz

Physical:

Number of Slots: 1

Electrical:

Voltage: +12V DC
Power: 5W
EMI/RFI: Complies with FCC Part 15 Class A EU EMC Directive

►Ordering Information

500DA-AESB Balanced AES Audio Distribution Amplifier (1x4)

Accessories:

500FC VistaLINK® Frame Controller
CP-2116E-H Remote Control Panel
CP-2232E Remote Control Panel

Enclosures
500FR
S501FR

exponent
Compact High Density Distribution Frame
Standalone enclosure