



The 500DA-3G reclocking distribution amplifier provides inexpensive distribution of your SMPTE 424M, SMPTE ST 292-1 and SMPTE ST 259-1 serial digital video signals at rates of 3Gb/s, 1.5Gb/s and 270Mb/s. The DA supports all other all other SMPTE ST 344-1, SMPTE ST 259-1, SMPTE ST 310-1 and DVB-ASI data rates in a non-reclocked mode (540Mb/s, 360Mb/s, 143Mb/s, 19.4Mb/s).

Ideal in applications where a large quantity of outputs are required, the DA features an auto-equalized input with eight isolated reclocked outputs.

The 500DA-3G is housed in the 3RU 500FR **exponent** frame that will hold up to 16 cards.

►Features & Benefits

- Normal reclocked mode for SMPTE ST 424 (3Gb/s), SMPTE ST 292-1 (1.5Gb/s) and SMPTE ST 259-1 (270Mb/s)
- Jumper selectable non-reclocked mode for all other SMPTE ST 344-1, SMPTE ST 259-1, SMPTE ST 310-1 and DVB-ASI data rates
- Fully hot-swappable from front of frame with no BNC disconnect required
- Independent isolated output drivers to ensure no cross channel loading effects (ie. no need to terminate unused outputs)
- Outputs maintain polarity from input to output for DVB-ASI applications
- Tally output on Frame Status bus upon loss of input signal for quality monitoring
- VistaLINK® -capable for remote monitoring via SNMP (using VistaLINK® PRO) when installed in 500FR frame with 500FC VistaLINK® Frame Controller

- SMPTE ST 344-1 (540Mb/s), SMPTE ST 259-1 (360Mb/s, 143Mb/s), SMPTE ST 310-1 (19.4Mb/s), DVB-ASI when not re-clocking
- Return Loss > 15dB to 1.5GHz and > 10dB up to 3GHz
- Auto equalization to 65m @ 3Gb/s, 100m @ 1.5Gb/s, 350m @ 270Mb/s

Outputs

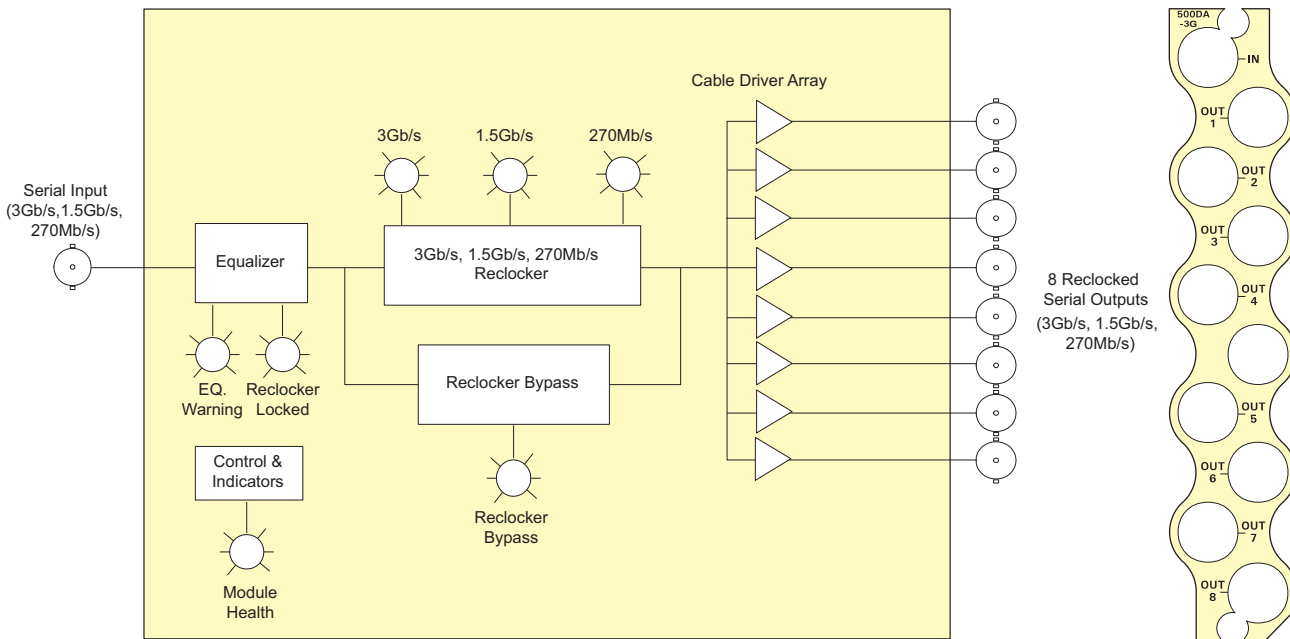
- Eight reclocked outputs
- Return Loss > 15dB to 1.5GHz
- Wideband jitter < 0.2 UI

Card Edge LEDs

- Reclocker rate (3 LEDs)
- Reclocker locked
- Reclocker bypass
- Max Equalization Warning
- Module Health Status

Input

- SMPTE ST 424 (3Gb/s), SMPTE ST 292-1 (1.5Gb/s), SMPTE ST 259-1 (270Mb/s) when re-clocking



►Specifications

<p>Serial Video Input:</p> <p>Reclocked Mode: SMPTE ST 424 (3Gb/s) SMPTE ST 292-1 (1.5Gb/s) SMPTE ST 259-1 (270Mb/s)</p> <p>Non Reclocked Mode: SMPTE ST 344-1 (540Mb/s) SMPTE ST 259-1 (360Mb/s) 143Mb/s) SMPTE ST 310-1 (19.4Mb/s), DVB-ASI</p> <p>Connector: BNC per IEC 61169-8 Annex A</p> <p>Equalization: Automatic to 65m @ 3Gb/s, 100m @ 1.5Gb/s, 350m @ 270Mb/s</p>	<p>Return Loss: > 15dB up to 1.5GHz > 10dB up to 3GHz</p> <p>Serial Video Output:</p> <p>Number of Outputs: 8 Reclocked</p> <p>Connector: BNC per IEC 61169-8 Annex A</p> <p>DC Offset: 0V ± 0.5V</p> <p>Rise and Fall Time: 135ps @ 3G 270ps @ HD 700ps @ SD nominal</p> <p>Return Loss: > 15dB up to 1.5GHz</p> <p>Wideband Jitter: < 0.2 UI HD < 0.3 UI 3G</p>	<p>Electrical:</p> <p>Voltage: +12V DC</p> <p>Power: 5W</p> <p>EMI/RFI: Complies with FCC Part 15 Class A and EU EMC directive</p> <p>Physical (number of slots): 1</p>
--	---	---

►Ordering Information

500DA-3G	3G/HD/SD-SDI Reclocking Distribution Amplifier - (1x8)
Accessories	
500FC	VistaLINK® Frame Controller
CP-2116E-H	Remote Control Panel
CP-2232E	Remote Control Panel

Enclosures
500FR
S501FR

exponent
Compact High Density Distribution Frame
Standalone enclosure