

500ADA

Analog Video Distribution Amplifier (1x9)

The 500ADA Analog Video Distribution Amplifier is a general purpose amplifier for distributing 75Ω analog signals. The 500ADA features one balanced input with nine outputs. The 500ADA has been designed to distribute a wide range of analog video signals. It can also distribute other pulses and signals that do not exceed 2V p-p.

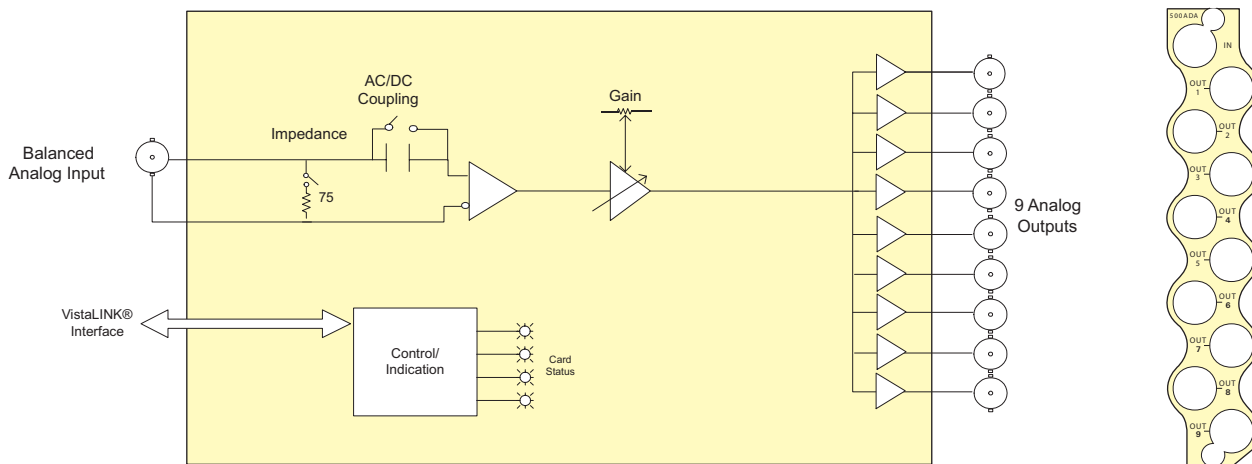
The 500ADA is housed in the 3RU 500FR **exponent** frame that will hold up to 16 modules.

►Features & Benefits

- 75Ω or high impedance input (jumper selectable)
- High common mode range and common mode rejection ratio (CMRR)
- Gain control
- Jumper selectable AC or DC coupling
- Looping feature with external "T" connector
- Consistent input impedance if card power is lost
- VistaLINK® -capable for remote monitoring via SNMP (using VistaLINK® PRO) when installed in 500FR frame with 500FC VistaLINK® Frame Controller

Card Edge LEDs

- Module status/Local Fault
- Power supply status



►Specifications

Analog Video Input:

Standards: Any analog video format, up to 2V p-p and 30MHz bandwidth
Connector: 1 BNC per IEC 61169-8 Annex A
Common mode range: > 6V p-p
CMRR: > 70dB to 1kHz
Signal amplitude: 2.5V p-p max
Impedance: 75Ω terminated, 35kΩ Hi-Z (jumper selectable)
Coupling: AC or DC (jumper selectable)
Return loss: > 40dB to 10MHz, > 30dB to 30MHz

Analog Video Outputs:

Number of Outputs: 9 Per Card
Connector: BNC per IEC 61169-8 Annex A
Output impedance: 75Ω
Gain control range: ±5dB
Freq. Response: < ±0.05dB (to 5.5MHz)
Differential Gain: < 0.17%
Differential Phase: < 0.19°
C/L gain inequality: < ±0.1%
C/L Delay: < ±2ns
Output isolation: 42dB to 10MHz, 32dB to 30MHz
Output return loss: > 40dB to 30MHz
Noise performance: < -78dB RMS NTC7 weighting
< -70dB RMS 15kHz to 5.5MHz

Electrical:

Voltage: +12V DC
Power: 1.2W
EMI/RFI: Complies with FCC Part 15 Class A, EU EMC Directive

Physical:

Number of Slots: 1

►Ordering Information

500ADA Analog Video Distribution Amplifier (1x9)

Enclosures
500FR
S501FR

exponent
Compact High Density Distribution Frame
Standalone enclosure

Accessories:
500FC
CP-2116E-H
CP-2232E

VistaLINK® Frame Controller
Remote Control Panel
Remote Control Panel