

# 500ACO2-HD/SD

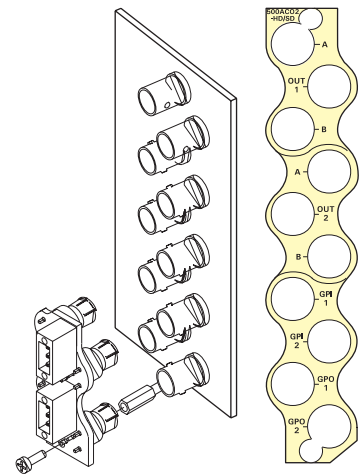
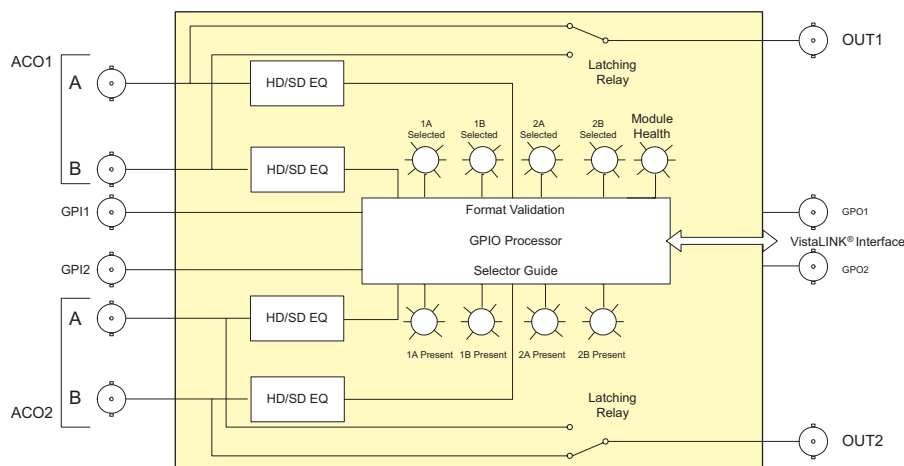
## Dual HD/SD-SDI Digital Auto Signal (2x1) Changeover

The 500ACO2-HD/SD dual HD/SD Autochangeover is designed to provide extension to the 5600ACO for HD or SD SDI, DVB-ASI, AES audio, bi-level/tri-level syncs and NTSC/PAL video. The unit can also be operated as a standalone changeover unit with two independent 2X1 switchers. The 500ACO uses latching relays to ensure maximum reliability and minimal disruption in the event of any failure.

The 500ACO2-HD/SD is housed in the 500FR **exponent** frame that will hold up to 16 modules.

### ► Features & Benefits

- Auto detection of six signal types
- Five modes of operation (including VistaLINK®)
- Auto changeover - two standalone auto changeovers or two link changeovers
- Manual DIP switch control - two independently controlled 2x1 switchers
- GPI Control - two independently GPI controlled 2x1 switchers
- ACO Extension - slave unit of the 5600ACO (requires 5600ACO firmware version 1.2 or higher)
- Support for VistaLINK® monitoring and control
- Fully hot-swappable from front of frame with no BNC disconnect required
- Tally output on Frame Status bus upon loss of input signal for quality monitoring
- Latching relays maintain the current path on loss of power
- VistaLINK® -capable for remote monitoring via SNMP (using VistaLINK® PRO) when installed in 500FR frame with 500FC VistaLINK® Frame Controller



### ► Specifications

#### Serial Video Input:

Standards: SMPTE 292M, SMPTE 259M-A, B, C, D (143 to 540Mb/s), DVB-ASI, bi-level/tri-level syncs or NTSC/PAL video  
 Connector: 4 BNC per IEC 61169-8 Annex A  
 Max. Cable Length: 100m of Belden 1694A or equivalent cable combined input and output  
 Return Loss: 10dB up to 1.5Gb/s

#### Serial Video Outputs:

Number of Outputs: 2 passive relay outputs  
 Connector: BNC per IEC 61169-8 Annex A  
 Max. Cable Length: 100m of Belden 1694A or equivalent cable combined input and output  
 DC Offset: 0V ±0.5V  
 Return Loss: 10dB up to 1.5Gb/s

#### General Purpose Inputs and Outputs:

Type: Opto-isolated input with internal pull-up to +5V  
 Inputs: Normally 10k internal pull-up to +5V  
 Outputs: Ground to rear panel when relay is in active position  
 Connector: Two 3-pin terminal blocks with one ground each  
 Signal Level: +5V nominal

#### Electrical:

Voltage: +12V DC  
 Power: 6W  
 EMI/RFI: Complies with FCC Part 15 Class A  
 EU EMC Directive

#### Physical:

Number of slots: 1

### ► Ordering Information

**500ACO2-HD/SD** Dual HD/SD-SDI Digital Auto Signal (2x1) Changeover

#### Accessories:

**500FC** VistaLINK® Frame Controller  
**CP-2116E-H** Remote Control Panel  
**CP-2232E** Remote Control Panel

#### Enclosures

**500FR**  
**S501FR**

#### exponent

Compact High Density Distribution Frame  
 Standalone enclosure