



The 400DA2Q-AESB provides an economical method of distribution for your 110Ω balanced AES digital audio signals. The DA's feature two auto-equalized inputs with four reclocked outputs each. The module can also be configured for one input with eight reclocked outputs for applications where a larger number of outputs are required.

The 400DA2Q-AESB is housed in the 400FR exponent frame that will hold up to 16 modules. The 400DA2Q-AESB card edge LED indicators provide quick and accurate assessment of the incoming signal integrity.

### ►Features & Benefits

- Data reclocking provides jitter reduction
- 2 Independent distribution amplifiers with 4 reclocked outputs
- Can also be configured as 1x8 output distribution amplifier

#### Inputs

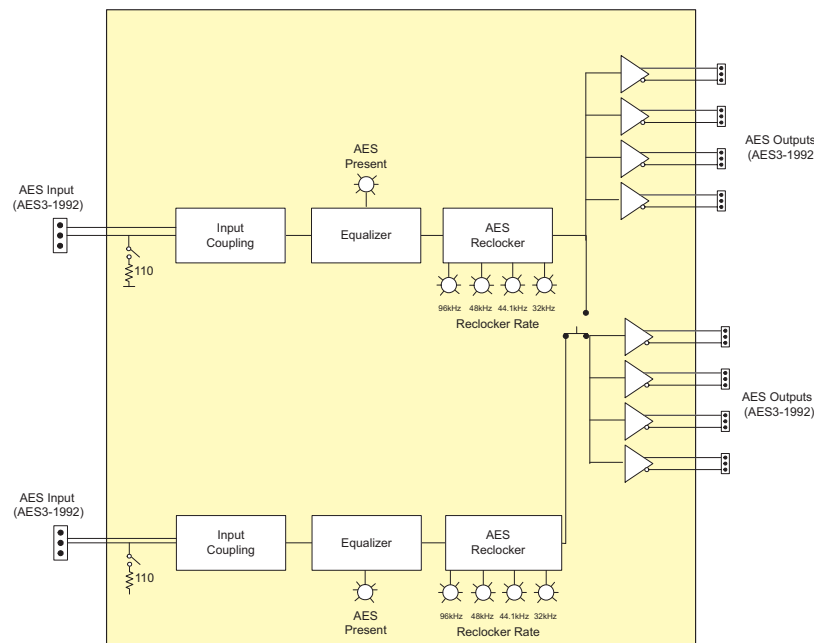
- AES3-1992 standard for AES audio on 110Ω twisted pair cable
- EQ and reclock provide extended cable length compensation (> 300m)
- Transformer coupled 110Ω balanced input

#### Outputs

- Eight 110Ω balanced

#### Card Edge LEDs

- Module Health Status
- Error LED indication for input PLL out of lock, parity error or biphas coding error
- Reclocked locked



### ►Specifications

#### AES Input:

Standard: AES3-1992  
 Number of Inputs: 1  
 Connector: 3-pin removable terminal strip  
 Input Level: 2 to 7V p-p  
 Coupling: Transformer  
 Input Impedance: 110Ω  
 Return Loss: > 14dB 100kHz to 6MHz  
 Equalization: Automatic to 300m with Belden 1800B (or equivalent) @ 48kHz AES signal  
 Sampling Frequency: 32kHz, 44.1kHz, 48kHz

#### AES Output:

Number of Outputs: 4 balanced AES reclocked outputs per input (2 - 1x4 mode)  
 8 balanced reclocked outputs (1x8 mode)  
 Connector: 3-pin removable terminal strip  
 Output Level: 5V p-p  
 Output Impedance: 110Ω  
 Return Loss: > 30dB 100kHz to 6MHz

#### Physical:

Number of Slots: 1

#### Electrical:

Voltage: +12V DC  
 Power: 5W  
 EMI/RFI: Complies with FCC Part 15 Class A EU EMC Directive

### ►Ordering Information

**400DA2Q-AESB** Dual Balanced AES Audio Distribution Amplifier

**Enclosures**  
**400FR**

Compact High Density Balanced Audio Distribution Frame

#### Accessories:

**400FC** 400FR VistaLINK® Frame Controller  
**CP-2116E-H** Remote Control Panel  
**CP-2232E** Remote Control Panel