

# 400DA-AESB

## Balanced 1x9 AES Audio Distribution Amplifier

The 400DA-AESB is a nine output reclocking and auto equalizing DA for balanced 110Ω AES signals. The DA automatically equalizes up to 300m of Belden 1800B cable and provides reclocked outputs with sampling frequencies of 32kHz, 44.1kHz, 48kHz and 96kHz. The 400DA-AESB card edge LED indicators provide quick and accurate assessment of the incoming signal integrity.

The 400DA-AESB is housed in the 3RU 400FR frame that will hold up to 16 modules.

### ►Features & Benefits

- Data reclocking provides jitter reduction

#### Inputs

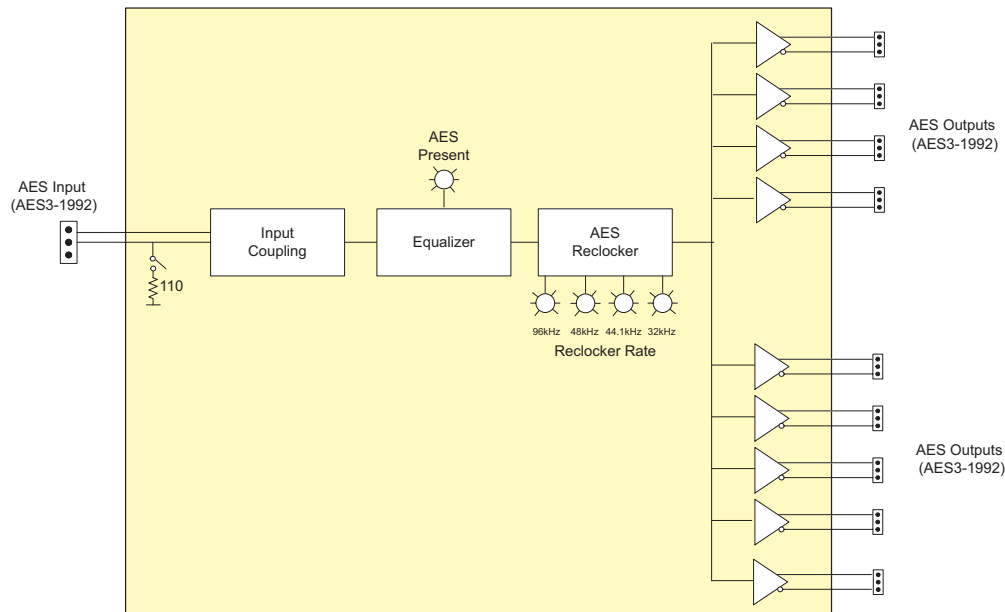
- AES3-1992 standard for AES audio on 110Ω twisted pair cable
- EQ and reclock provide extended cable length compensation (> 300m)
- Transformer coupled 110Ω balanced input

#### Outputs

- Nine 110Ω balanced

#### Card Edge LEDs

- Module Health Status
- Error LED indication for input PLL out of lock, parity error or biphas coding error
- Reclocked locked



### ►Specifications

#### AES Input:

Standard: AES3-1992  
Number of Inputs: 1  
Connector: 3-pin removable terminal strip  
Input Level: 2 to 7V p-p  
Coupling: Transformer  
Input Impedance: 110Ω  
Return Loss: > 14dB 100kHz to 6MHz  
Equalization: Automatic to 300m with Belden 1800B (or equivalent) @ 48kHz AES signal  
Sampling Frequency: 32kHz, 44.1kHz, 48kHz and 96kHz

#### AES Output:

Number of Outputs: 9 Balanced AES reclocked  
Connector: 3-pin removable terminal strip  
Output Level: 5V p-p  
Output Impedance: 110Ω  
Return Loss: > 30dB 100kHz to 6MHz

#### Physical:

Number of Slots: 1

#### Electrical:

Voltage: +12V DC  
Power: 5W  
EMI/RFI: Complies with FCC Part 15 Class A EU EMC Directive

### ►Ordering Information

**400DA-AESB** Balanced AES Audio Distribution Amplifier (1x9)

**Enclosures 400FR**

Compact High Density Balanced Audio Distribution Frame

#### Accessories:

**400FC** 400FR VistaLINK® Frame Controller  
**CP-2116E-H** Remote Control Panel  
**CP-2232E** Remote Control Panel

