

3505FR-DIN

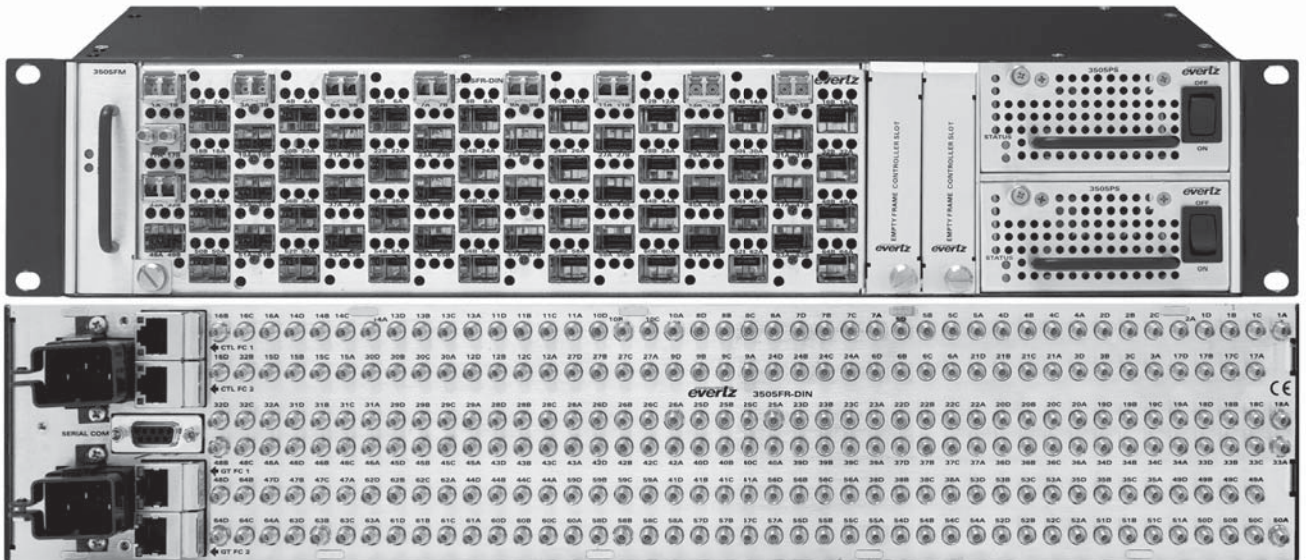
Fiber Optic SFP Din Frame



The Evertz 3505FR-DIN is a high-capacity bulk optical conversion platform. With the ability to accommodate 64 Evertz 3405 series SFP's, up to 128 optical to electrical or electrical to optical conversions may be performed in a single frame. Occupying only 2RU of rack space, the 3505FR-DIN is the industry's highest density optical conversion platform making it ideal for space-limited applications. The 3505FR-DIN can accommodate any 3405 series SFP, allowing the SFP cages to be populated as needed with optical transmit, receive, regenerator or electrical distribution amplifier SFP's. The SFP positions are not limited by function - any combination of 3405SFP types may be used, making countless versatile combinations possible. Benefits of fiber optics for video transport include longer attainable distances, smaller/lighter cabling, reduced cable tray loads and electrical isolation. The 3505FR-DIN provides a low-overhead means for simple electrical/optical conversion for interfacility transport, as well as overcoming the limitations imposed by coaxial cable in intra-facility applications.

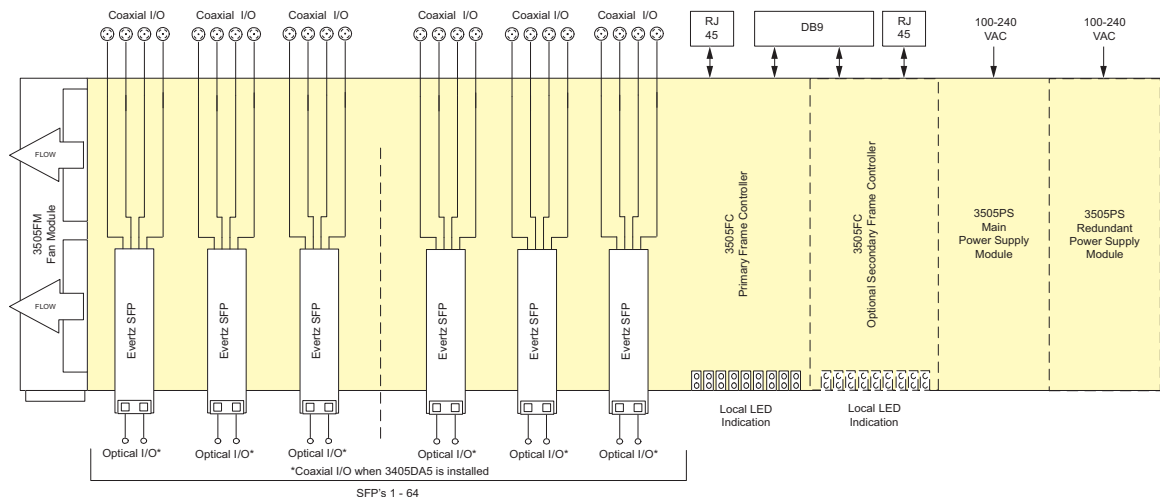
3405 series SFP's are able to handle ASI, SDI, HD-SDI and 3G digital video signals, as well as other signal rates up to 3 Gig on non-reclocked versions (e.g. MADI). The SFP modules are hot-swappable, allowing for quick servicing or easy reconfiguration or expansion at any time. 16 CWDM wavelengths are also available, which when combined with Evertz CWDM products allow up to 16 signals to be multiplexed on to a single fiber, greatly conserving fiber usage.

The 3505FR-DIN supports full remote monitoring and control over SNMP/ VistaLINK® when optional frame controllers are installed. The platform supports a single frame controller, or dual modules may be installed for redundancy. Numerous parameters such as optical power and electrical signal presence and rate can be accessed remotely to monitor system integrity. The 3505FR-DIN was designed to provide carrier-grade reliability with all SFP's, power supplies, frame controllers and the fan module being hot-swappable. There are no active components in the frame itself, a patent-pending feature from Evertz ensuring that the frame and coaxial cabling never need to be removed from the rack for service.



Features & Benefits

- Highest density in the industry – up to 128 conversions in 2RU
- Any combination of 3405SFP types may be installed in any slots, including optical transmit, receive, regenerator and electrical distribution amplifiers
- All active components are hot-swappable
- SFP modules can be hot-swapped without de-cabling coaxial connections
- Temperature controlled fans to minimize audible noise
- Accommodates single or dual redundant frame controllers
- Accommodates redundant power supplies
- Quad electrical connectors per SFP facilitates extra electrical distribution
- Comprehensive signal and card status monitoring via four digit card edge display or remotely through SNMP and VistaLINK® when frame controller(s) are installed



SFP's 1 - 64

The Complete Solution Provider





► Specifications

System:		Electrical Inputs/Outputs:		Physical:	
Density:	64SFP's Up to 128 EO, OE, or mixture of EO and OE in a 2RU unit	Connector::	Mini DIN 1.0/2.3	Dimensions:	3.5"H x 19"W x 5.5"D
		Return Loss:	> 15dB up to 1.5GHz > 10dB up to 3GHz	Module Capacity:	64 Evertz 3405 or 3505 SFP's
Communication and Control:		Impedance:	75Ω		
Serial:	RS-232 - single Female 9-pin D connector	Electrical:			
Ethernet:	SNMP over IEEE 802.3U (10/100 BaseTx) RJ45 connector for M&C	AC Input:	Auto-ranging, 100-240VAC, 50/60Hz		
Control:	VistaLINK [®] /SNMP	Power:	200W max		
		Connector:	IEC 320 - 1 per power supply		

► Ordering Information

3505FR-DIN	Fiber OpticSFP DIN frame	3405T13-2	Dual channel SFP optical transmitter with standard 1310nm lasers, non-relocked.
		3405T13-2-S	Dual channel SFP optical transmitter with short-haul 1310nm lasers, non-relocked.
		3405TXX/YY-2	Dual channel SFP optical transmitter with CWDM lasers (1270nm to 1610nm), non-relocked.
		3405T13-R	Single channel SFP optical transmitter with standard 1310nm laser, relocked.
		3405T13-R-S	Single channel SFP optical transmitter with short-haul 1310nm laser, relocked.
		3405TXX-R	Single channel SFP optical transmitter with CWDM laser (1270nm to 1610nm), relocked.
		3405R-2R	Dual channel SFP optical receiver, relocked.
		3405R-2	Dual channel SFP optical receiver, non-relocked .
		3405R-DA4R	Single channel SFP optical receiver, relocked.
		3405R-DA4R-H	Single channel SFP optical high-sensitivity receiver, relocked.
		3405OO13-DA4	Single channel SFP optical regenerator with standard 1310nm laser, relocked.
		3405OO13-DA4-H	Single channel SFP optical regenerator with standard 1310nm laser and high sensitivity receiver, relocked.
		3405OOXX-DA4	Single channel SFP optical regenerator with CWDM laser (1270nm to 1610nm), relocked.
		3405OOXX-DA4-H	Single channel SFP optical regenerator with high sensitivity receiver and CWDM laser (1270nm to 1610nm), relocked.

*Note: SFP's sold separately, please specify at the time of ordering.

Ordering Options

+35PS Redundant power supply

Accessories

3505FC SNMP Frame Controller
3505FM Spare/replacement fan module
3505PS Spare/replacement power supply module

Evertz SFP modules

- *Note:
- Multimode applications require a 5dB optical attenuator at the output of all transmitting ports, except when "-S" short haul version transmitter SFP's are used.
 - XX versions include the following: 27, 29, 31, 33, 35, 37, 43, 45, 47, 49, 51, 53, 55, 57, 59, 61, see CWDM wavelength ordering information
 - XX/YY versions include the following: 27/29, 31/33, 35/37, 43/45, 47/49, 51/53, 55/57, 59/61, see CWDM wavelength ordering information