

3405FRS-BNC

Standalone Fiber Optic SFP BNC Frame



The Evertz 3405FRS is a miniature optical conversion platform. The 3505FRS can accommodate up to four of any Evertz 3405 series SFP, allowing the use of optical transmit, receive, regenerator or electrical distribution amplifier or changeover SFP's. With the ability to perform two optical/electrical conversions per SFP module, the 3405FRS can provide conversion for up to eight signals in total. Benefits of fiber optics for video transport include longer attainable distances, smaller/lighter cabling, reduced cable tray loads and electrical isolation. The 3405FRS provides an extremely compact, low-overhead means for simple electrical/optical conversion for interfacility transport, as well as

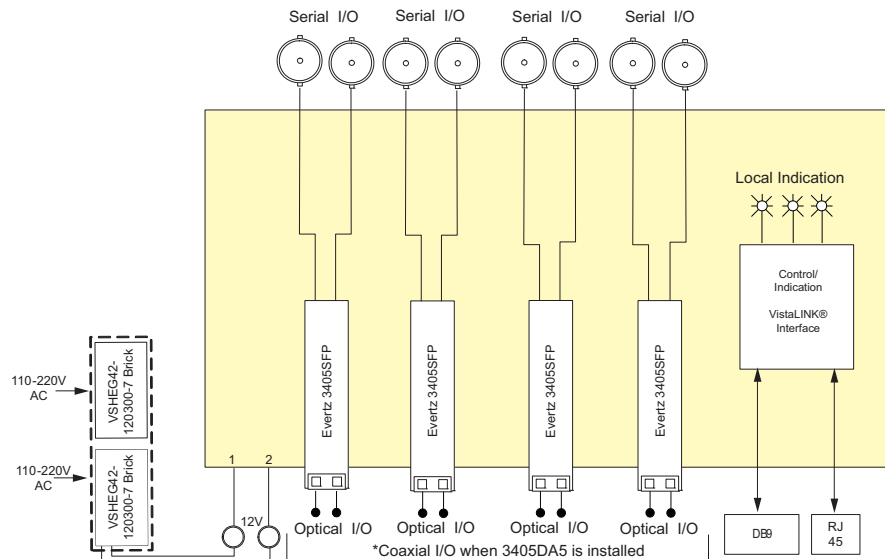
overcoming the limitations imposed by coaxial cable in intra-facility applications. Although it is a compact enclosure, the 3405FRS provides carrier-grade features such as redundant power supply inputs and full remote monitoring and control over SNMP/VistaLINK®.

3405 series SFP's are able to handle ASI, SDI, HD-SDI and 3G digital video signals, as well as other signal rates up to 3 Gig on non-reclocked versions (e.g. MADI). The SFP modules are hot-swappable, allowing for quick servicing or easy reconfiguration or expansion at any time.



Features & Benefits

- Versatile, miniature "throwdown" type enclosure can be used for low-signal count permanent or ad-hoc applications.
- Convenient flange mounting.
- Any 3405SFP types may be installed, including optical transmit, receive, regenerator and electrical distribution amplifier and changeover switches.
- Dual, redundant power supplies may be accommodated (one power supply ships as standard, redundant unit is optional).
- Integrated controller for remote monitoring and control over SNMP/ VistaLINK®.



The Complete Solution Provider





► Specifications

System:		Physical:		VSHEG42-120300-7 External Power Supply Brick:	
Density:	Up to 4 SFP's	Dimensions:	1.03"H x 7.08"W x 4.125"D	AC Mains Input:	Auto ranging, 100 - 240 VAC, 50/60 Hz
Communication and Control:		Module Capacity:	4 Evertz® SFP modules	Number of Outputs:	1
Serial:	RS-232 - single Female mini 9-pin connector	Operating Temperature:	0-40°C	Output Voltage:	12VDC
Ethernet:	SNMP over IEEE 802.3/U (10/100 BaseTx) RJ45 connector	Electrical:		Output Connector:	Coaxial power connector
Control:	VistaLINK® / SNMP	Power Supply Configuration:		Max Power	
Electrical Outputs:		Dual external supplies (primary/secondary VSHEG42-120300-7)		Dissipation:	36W
Connector:	BNC per IEC 61169-8 Annex A	Voltage:	DC Input 12V DC (external power supplies required for 110-220V)	Status Indicators:	Green OK LED
Impedance:	75Ω (nominal)	Max Power Consumption:			
		12W (fully loaded frame with all accessories) Note - power consumption dependent on SFP type			

► Ordering Information

3405FRS-BNC	Standalone Fiber Optic SFP BNC frame (includes primary power supply), SFP's and redundant power supply ordered separately
--------------------	---

Note: SFP's sold separately, please specify at the time of ordering.

Power Supplies

VSHEG42-120300-7 Redundant power supply brick

Evertz® SFP Modules

The 3405FRS-BNC enclosure is compatible with any 3405 series optical or coaxial SFP. For optical SFP options, please see the "3405 Optical SFP Series" data sheet, and for coaxial SFP options please see the "3405 Coaxial SFP Series" data sheet.