

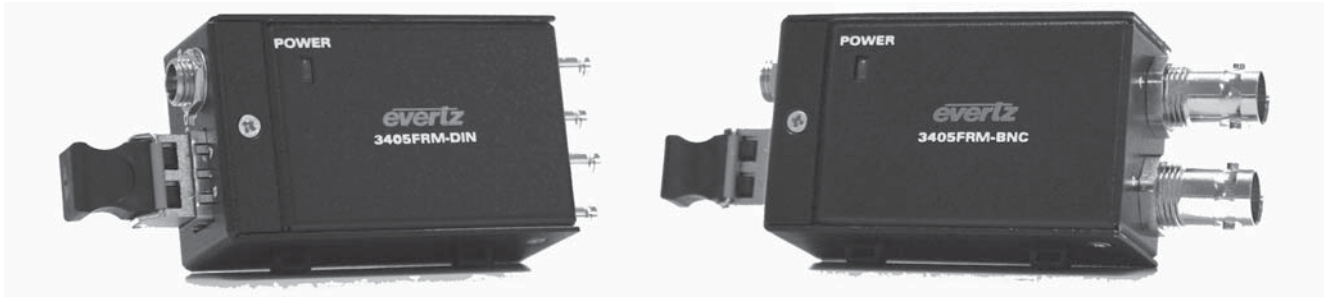
3405FRM-BNC, 3405FRM-DIN

Miniature Fiber Optic SFP BNC/DIN Frame



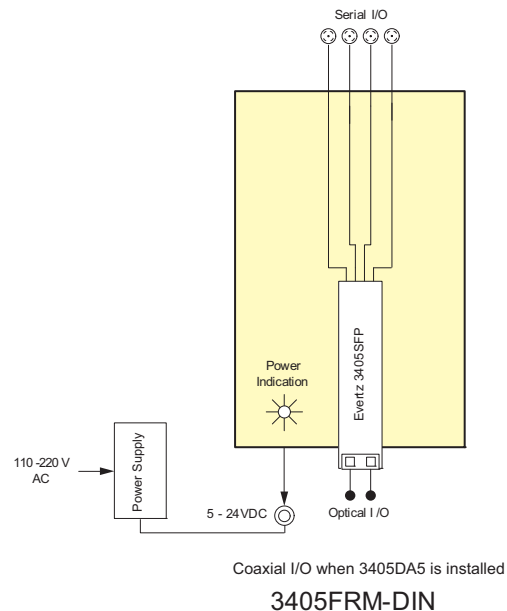
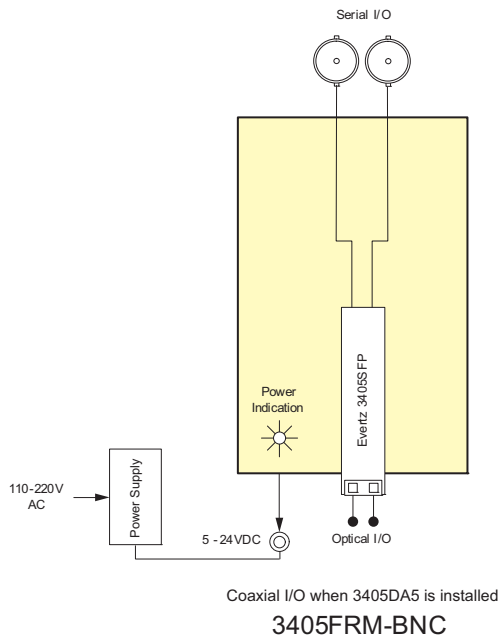
The Evertz 3405FRM is a miniature optical conversion platform. The 3405FRM can accommodate one of any Evertz 3405 series SFP, allowing the use of optical transmit, receive, regenerator or electrical distribution amplifier or changeover SFP's. Benefits of fiber optics for video transport include longer attainable distances, smaller/lighter cabling, reduced cable tray loads and electrical isolation. The 3405FRM provides an extremely compact, low-overhead means for simple electrical/optical conversion for interfacility transport, as well as overcoming the limitations imposed by coaxial cable in intra-facility applications.

3405 series SFP's are able to handle ASI, SDI, HD-SDI and 3G digital video signals, as well as other signal rates up to 3 Gig on non-reclocked versions (e.g. MAD1). The SFP modules are hot-swappable, allowing for quick servicing or easy reconfiguration or expansion at any time.



► Features & Benefits

- Versatile, miniature "throwdown" type enclosure can be used for low-signal count permanent or ad-hoc applications.
- "Keyhole" and zip-tie mounting provisions.
- Any 3405SFP types may be installed, including optical transmit, receive, regenerator and electrical distribution amplifier and changeover switches.
- Quad electrical connectors per SFP facilitates extra electrical distribution
- The 3405FRM-BNC provides two coaxial connections, while the 3405FRM-DIN provides four connections on DIN1.0/2.3 connectors for additional signal distribution.



The Complete Solution Provider



3405FRM-BNC, 3405FRM-DIN

Miniature Fiber Optic SFP BNC/DIN Frame



► Specifications

System:	Single SFP	Electrical:	Power Supply Configuration:	Power Supply:	AC Mains Input:
Density:	Single SFP		Single external supply (VSHEG42-120300-7)		Auto ranging, 100 ↔ 240V AC, 50/60 Hz
Electrical Inputs:			DC Input 12V DC (external power supplies required for 110-220V)	Number of Outputs:	1
Connector:		Voltage:		Output Voltage:	12V DC
3405FRM-BNC:	BNC per IEC 61169-8 Annex A			Output Connector:	Coaxial power connector
3405FRM-DIN:	1.0/2.3 Female connector	Max Power Consumption:	2W (fully loaded frame)	Maximum output:	12W
Impedance:	75Ω		Note - power consumption dependent on SFP type	Style:	Wall plug
Physical:		Compliance:			Includes interchangeable power blades for North America, Europe (Schuko), UK and Australian type power outlets
Dimensions:	1.03"H x 1.43"W x 2.37"D	Safety:	CSA Listed, Complies with EU Safety Directive		
Module Capacity:	1 Evertz® SFP modules. Dual TX or Dual RX	EMC:	Complies with FCC part 15, Class A		
Operating Temp:	0-40°C		Complies with EU EMC Directives		

► Ordering Information

3405FRM-BNC	Miniature Fiber Optic SFP BNC frame (does not include SFP's)
3405FRM-DIN	Miniature Fiber Optic SFP DIN frame (does not include SFP's)

Note: SFP's sold separately, please specify at the time of ordering.

Evertz® SFP Modules

The 3405FRM series enclosure are compatible with any 3405 series optical or coaxial SFP. For optical SFP options, please see the "3405 Optical SFP Series" data sheet, and for coaxial SFP options please see the "3405 Coaxial SFP Series" data sheet.