

# 2432RX2-HDMI

## Dual Path Serial Digital to HDMI converter

The 2432RX2-HDMI is a versatile dual path serial digital to HDMI converter. The 2432RX2-HDMI is used for projects where high density extension of HDMI over coax or fiber is required. 2432RX2-HDMI is used as part of the EFX system for video wall and command center projects.

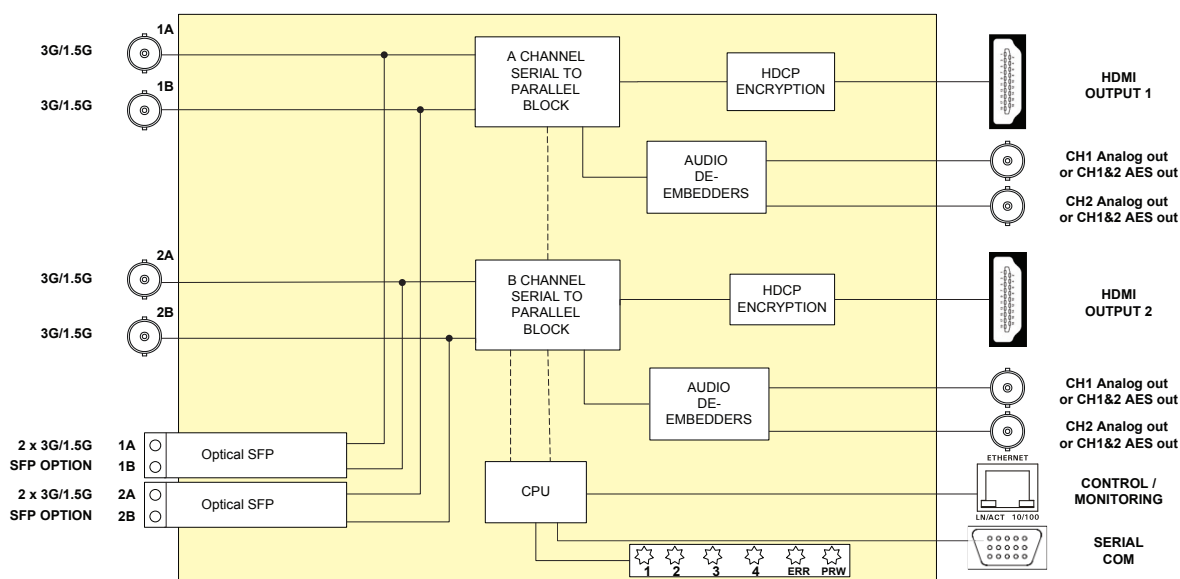
This self-contained module accepts up to two serial, GLINK (Evertz proprietary) Inputs over coax or fiber (with additional SFP) and converts

them to single link or dual link HDMI with a resolution range of up to WQXGA (2560x1600). The possibility to support two paths simultaneously makes the 2432RX2-HDMI a very cost effective Professional AV solution.

2432RX2-HDMI can also be used in applications to convert SDI to HDMI. Supports all major SMPTE standards: SMPTE ST 259M, 292M, 425M-A, 425M-B and GLINK (Evertz proprietary).

### Features & Benefits

- Supports two dual independent serial digital inputs over coax or fiber up to 3Gbps
- Supports SMPTE standard serial digital inputs as well as GLink (Evertz proprietary)
- Optionally support two dual fiber inputs via a hot-pluggable SFP
- VESA video resolutions supported up to WUXGA (1920x1200/60) when using Single Link DVI
- VESA video resolutions supported up to WQXGA (2560x1600/60) when using Dual Link DVI
- Full 24 bits-per-pixel color resolution
- Supports Crop and Scale functionality
- Ideal for use with high resolution LCD, plasma, and projection screens
- Superior digital data transmission
- Compact form factor with optional VESA mount brackets (2400VESA)
- Supports single-mode and multi-mode fiber optic cable (contact factory for options)
- Two stereo analog audio outputs or AES output
- SNMP enabled for configuration
- HDCP compliant



### Specifications

<b>Serial Inputs</b> Standard: SMPTE ST 259M, 292M, 424M and Evertz proprietary format GLINK 2 — total 4 BNCs when in dual link reception mode Number of Inputs: 2 Connector: BNC per IEC 60 169-8 Amendment 2 Equalization: Automatic up to 50m	<b>HDMI Outputs</b> HDMI Version: 1.4 Number of Outputs: 2 Connectors: HDMI Female Video Resolution: Up to WUXGA (1920x1200) @ 60Hz single link Up to WQXGA (2560x1600) @ 60Hz dual link Color Resolution: 24 bits	<b>Electrical</b> Voltage: +12VDC Auto ranging 100-240V AC 50/60Hz Power: 28 Watts
<b>Optical Inputs</b> Number of Inputs: 2 per single SFP (requires second SFP for dual link mode) Connector: LC/UPC female housing Maximum Input Power: -3dBm Wavelength: 1310nm to 1610nm Optical Sensitivity: -19dBm Fiber Size: 62_m core / 125_m overall	<b>Analog Audio Output</b> Number of Outputs: 2 (1 stereo pair per HDMI output) Connectors: BNC per IEC 60 169-8 Amendment 2 (Includes BNC to RCA connector) Impedance: High Impedance (> 20kΩ) Frequency Response: ±0.1dB (20Hz to 20kHz) THD: < 0.005% (20Hz to 20kHz) Channel Phase Difference: < ±1° SNR: > 85DB Level: -20dB to +3dB Maximum Output Level: +24dBu into 10kΩ loads	<b>Physical</b> Dimensions With mounting flanges: 7.81" L x 5.63" W x 1.75" H (199mm L x 143mm W x 45mm H) Weight: 1 lb (0.45 kg)
		<b>Compliance</b> Electrical Safety: Power supply UL listed Complies with CE Low voltage directive Laser Safety: Class 1 laser product Complies with 24 CFR 1040.10 and 1040.11 IEC 60825-1 EMI/RFI: Complies with FCC Part 15, Class A EU EMC directive

### Ordering Information

2432RX2-HDMI Dual path Serial Digital to HDMI converter

#### Optical Ordering Options:

SFP3R-2 Dual optical SFP receiver module 1310nm, standard sensitivity receiver, Supports rates up to 3Gbs

Ordering Options:  
2400VESA

VESA Extension mount for 2400 series products