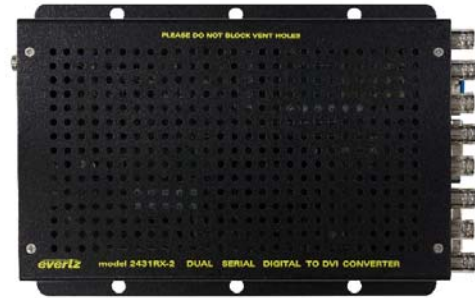


2431RX-2

Dual Path Serial Digital to DVI converter

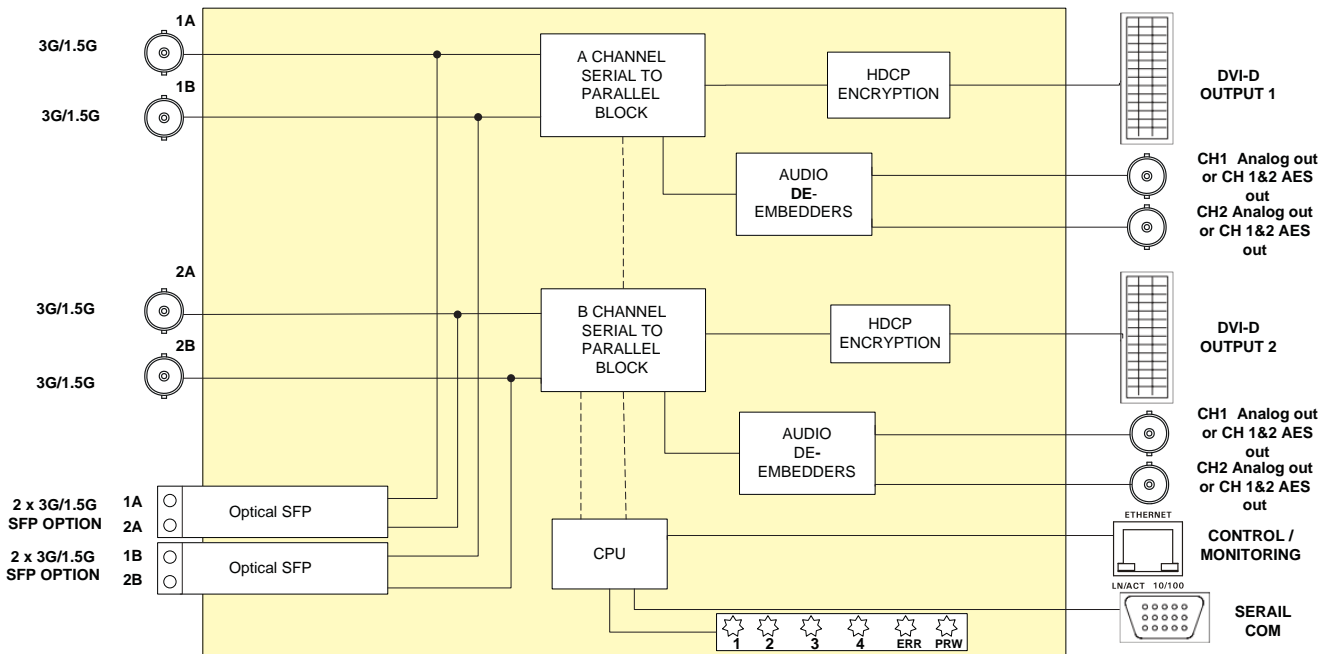
The 2431RX-2 is a versatile dual path serial digital to DVI converter. The 2431RX-2 is used for projects where high density extension of DVI over coax or fiber is required. 2431RX-2 is used as part of the EFX system for video wall and command center projects. This self-contained module accepts up to two serial inputs over coax or fiber (with additional SFP) and converts them to single link or dual link DVI with a resolution range of up to WQXGA (2560x1600). The possibility to support two paths simultaneously makes the 2431RX-2 a very cost effective Professional AV solution.

2431RX-2 can also be used in applications to convert SDI to DVI, and all major SMPTE standards are supported: SMPTE 259M, 292M, 425M-A, 425M-B.



Features & Benefits

- Supports two dual independent serial digital inputs over coax up to 3Gbps
- Supports SMPTE standard serial digital inputs as well as Evertz proprietary
- It can optionally support two dual fiber inputs via a hot pluggable SFP
- VESA video resolutions supported up to WUXGA (1920x1200/60) when using Single Link DVI
- VESA video resolutions supported up to WQXGA (2560x1600/60) when using Dual Link DVI
- Full 24 bits-per-pixel color resolution
- Ideal for use with high resolution LCD, plasma, and projection screens
- Superior digital data transmission
- Compact form factor with optional VESA mount brackets (2400VESA)
- Supports single-mode and multi-mode fiber optic cable (contact factory for multi-mode applications)
- Two stereo analog audio outputs
- SNMP enabled for configuration.
- HDCP compliant



The Complete Solution Provider



Specifications

Serial Inputs		Video Resolution:	Up to WUXGA (1920x1200) @ 60Hz single link Up to WQXGA (2560X1600) @ 60Hz dual link	Electrical	
Standard:	SMPTE 259M, 292M, 424M and Evertz proprietary format (3Gbps/1.5Gbps)			Voltage:	+12VDC Auto ranging 100-240V AC 50/60Hz
Number of Inputs:	2 - total 4BNCs when in dual link reception mode	Color Resolution:	24 bits	Power:	28W
Connector:	BNC per IEC 60 169-8 Amendment 2	Voltage Swing:	400mV minimum	Physical	
Equalization:	Automatic up to 50m	Output Clock Jitter:	150ps maximum	Dimensions With mounting flanges:	7.81" L x 5.63" W x 1.75" H (199mm L x 143mm W x 45mm H)
		Differential Skew:	50ps maximum	Weight:	1 lbs. (0.45 kg)
Optical Inputs		Analog Audio Output		Compliance	
Number of Inputs:	2 per single SFP (requires second SFP for dual link mode)	Number of Outputs:	2 (1 stereo pair per DVI output)	Electrical Safety:	Power supply UL listed Complies with CE Low voltage directive
Connector:	LC/UPC female housing	Connectors:	2 (Includes BNC to RCA connector)	Laser Safety:	Class 1 laser product Complies with 24 CFR 1040.10 and 1040.11 IEC 60825-1
Maximum Input Power:	-3dBm	Impedance:	High Impedance (> 20kΩ)	EMI/RFI:	Complies with FCC Part 15, Class A EU EMC directive
Wavelength:	1310 nm to 1610nm	Frequency Response:	±0.1dB (20Hz to 20kHz)		
Optical Sensitivity:	-19dBm	THD:	< 0.005% (20Hz to 20kHz)		
Fiber Size:	62µm core / 125µm overall	Channel Phase Difference:	< ±1°		
DVI Outputs		SNR:	> 85DB		
Number of Outputs:	2	Level:	-20dB to +3dB		
Connectors:	28 pin DVI-I	Maximum Output Level:	+24dBu into 10kΩ loads		

Ordering Information

2431RX-2	Dual path Serial Digital to DVI converter
----------	---

Optical Ordering Options:

SFP3R-2 Dual optical SFP receiver module 1310nm, standard sensitivity receiver, Supports rates up to 3Gbs

Ordering Options:
2400VESA VESA Extension mount for 2400 series products