

2430RX-J2K-IP

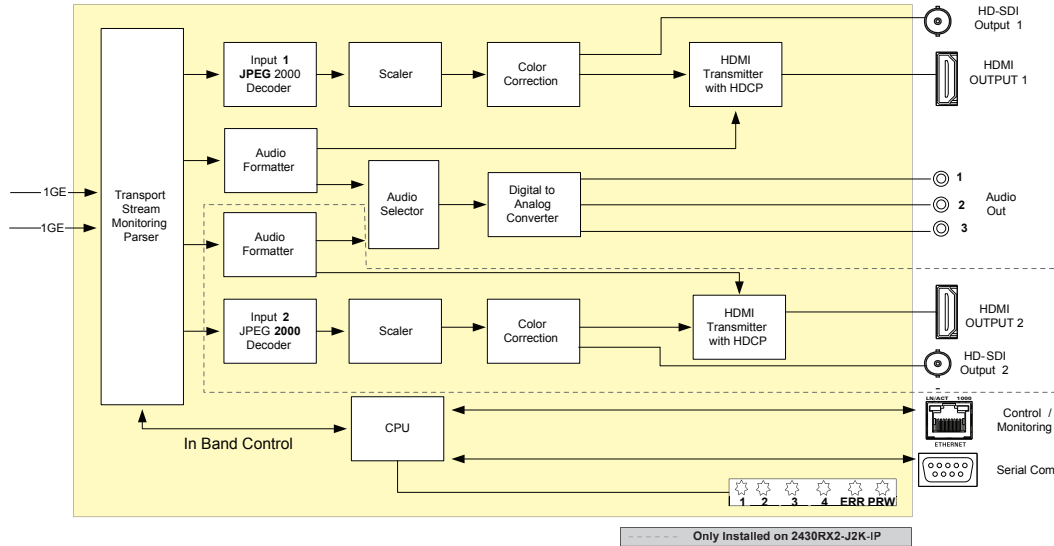
JPEG2000 to HDMI Converter

The 2430RX-J2K-IP is a versatile JPEG2000 to HDMI/DVI/DisplayPort processing converter. The 2430RX-J2K-IP is used in applications where delivery of J2K encoded video is to be displayed on a DVI/HDMI monitor.

This self-contained module accepts up to 2x JPEG2000 over IP streaming inputs. It decodes, processes, color corrects and converts the output to a DVI/HDMI signal. With integrated auto scaling the 2430RX-J2K-IP device can drive resolutions up to WUXGA (1920x1200).

►Features & Benefits

- Full 4:2:2 10-bit pixel input resolution
- Full 24-bit RGB output pixel resolution
- Color correction
- Ideal for use with high resolution LCD, plasma and projection screens
- Auto rescaling
- Superior digital data transmission
- Compact form factor with optional VESA mount brackets
- Analog audio outputs supported
- In-band control supported



►Specifications

<p>Input: Format: JPEG2000 Number of Inputs: 2 Connector: Female LC/UPC</p> <p>Output: Number of Outputs: 1 (2430RX-J2K-IP) 2 (2430RX2-J2K-IP) Connector Type: HDMI Supported Resolutions: 525, 624, 720p 59.94/50Hz, 1080p 59.94/50Hz, VESA up to WUXGA (1920x1200)</p>	<p>Serial Video Output: Number of Outputs: 2 Standard: 525, 625, 720p 59.94/50Hz, 1080p59.94/50Hz Connector: BNC per IEC 60 169-8 Amendment 2</p> <p>Audio Output: Number of Outputs: 3 Connector Type: 3.5mm stereo female jack</p> <p>Electrical: Voltage: 12VDC, auto-ranging 100-240VAC 50/60Hz adapter included</p>	<p>Power: 33W</p> <p>Physical: Dimensions: 8.13" L x 9.28" W x 1.75" H</p> <p>Compliance: Electrical Safety: Power supply UL listed Complies with CE low voltage directive EMI/RFI: Complies with FCC Part 15, Class A EU EMC directive</p>
--	---	--

►Ordering Information

2430RX2-J2K-IP	Dual JPEG2000 to HDMI Converter
2430RX-J2K-IP	Single JPEG2000 to HDMI Converter
2430RX-J2K-IP-EFX	Single JPEG2000 to HDMI Converter with Crop/Zoom and Rotate

Ordering Options:

-VPGC	Color correction
SFPTR-RJ45-SGM-AV	SFP Copper Transceiver, 1Gbps, 100m
SFP1G-TR85	SFP Optical Transceiver, 1.25Gbps, 850nm, MMF, 550m
SFP1G-TR13	SFP Optical Transceiver, 1.25Gbps, 1310nm, SMF, 20km