

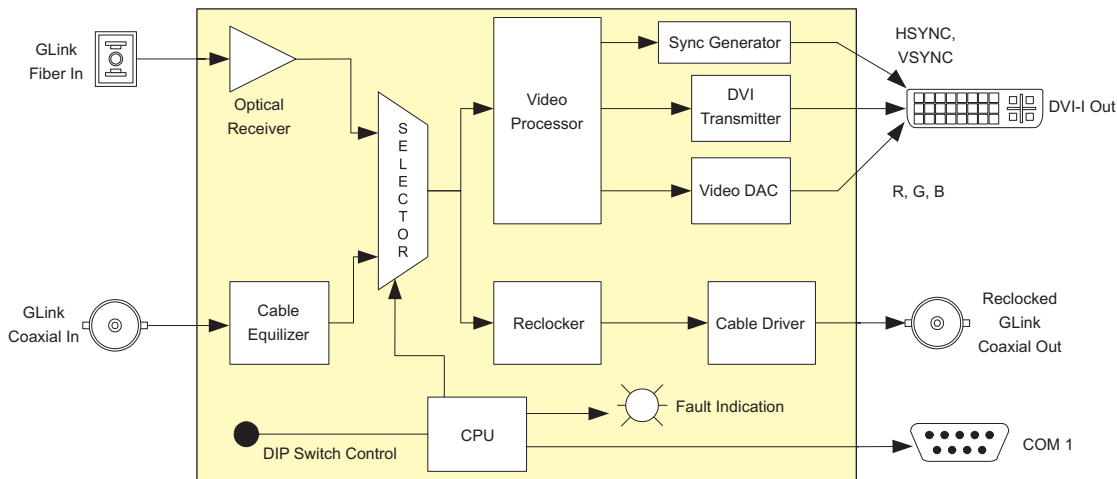
The 2430GDAC GLink D to A Converter provides a simple extension to Evertz® multi-display systems by converting a GLink video signal over coaxial or fiber optic cable into a digital DVI signal and analog RGB signal that can be displayed on a computer monitor or flat panel screen, thereby eliminating the 5m distance limit of DVI signals. The converter features one GLink fiber optic input, one GLink coaxial input, one reclocked GLink coaxial output, and one DVI-I video output. The 2430GDAC has been designed for use with any Evertz® module featuring a GLink output (for example, the MVP® 3000MVP-PPMX16-4G and 7767VIP4-HSN-G modules).

The 2430GDAC-WARP features the same I/O specifications as the standard 2430GDAC but also provides the added capability of "warping" or flipping the output display from landscape mode (16:9) to portrait mode (9:16). The 2430GDAC-WARP rotates the output display 90° counter clockwise. This is ideal for space limited applications.



► Features & Benefits

- Display resolution capability up to HD (1920x1080) at 60Hz or 50Hz refresh rate
- DVI-I digital and analog RGB video output
- Auto detection of display resolution with manual override.
- One reclocked GLink coaxial output for connection to a second 2430GDAC or other GLink-compatible products
- Standard landscape display (2430GDAC) or portrait display support (2430GDAC-WARP)
- Auto detection of GLink signal loss
- Operation with single-mode or multi-mode fiber optic cable
- SC/PC, ST/PC, or FC/PC fiber connector options
- Low power +12V DC operation



► Specifications

Coaxial GLink Input:

Connector: BNC per IEC 61169-8 Annex A
Equalization: Automatic up to 10m

Fiber GLink Input:

Connector: SC/PC, ST/PC, or FC/PC female housing
Max. Input Power: -3dBm
Wavelength: 1310nm to 1610nm
Optical Sensitivity: -25dBm
Fiber Size: 62mm core/125mm overall

Re-clocked Coaxial GLink Output:

Connector: BNC per IEC 61169-8 Annex A
Signal Level: 750mV minimum

Video Output:

Connector: DVI-I (digital + analog)
Output Resolution: Up to HD (1920x1200) @ 60Hz or 50Hz maximum

DVI Digital Video Output:

Voltage Swing: 400mV minimum
Output Clock Jitter: 150ps maximum
Differential Skew: 50ps maximum

RGB Analog Video Output:

Signal Level:
Video: 1V p-p nominal RGB
Sync: 4V
Impedance: 75Ω
DC Offset: 0V ±0.5V

Electrical:

Voltage: +12VDC
Power: 10 Watts
Voltage: Auto ranging 100-240V AC, 12V DC 10W (power adapter included)
Safety: Power adapter UL listed
Complies with EU safety directive
EMI/RFI: Complies with FCC Part 15 Class A
EU EMC Directive

Physical:

Dimensions: 7.2" L x 4.3" W x 1.0" H (166mm L x 110mm W x 26mm H)
With mounting flanges: 7.2" L x 5.3" W x 1.0" H (166mm L x 136mm W x 26mm H)
Weight: 0.85lbs (0.38kg)

► Ordering Information

2430GDAC	GLink to DVI converter
2430GDAC-WARP	GLink to DVI converter with WARP (provides landscape to portrait display orientation conversion support)

Note: Enclosure with side mount flanges ships standard

Ordering Options Fiber Connector must be specified at time of order
Eg: Model +SC

Connector Suffix

+SC SC/PC
+ST ST/PC
+FC FC/PC

Case Option Suffix

+NF Enclosure without mounting flanges