

2430DAC-HD

HD Miniature Digital to Analog Converter

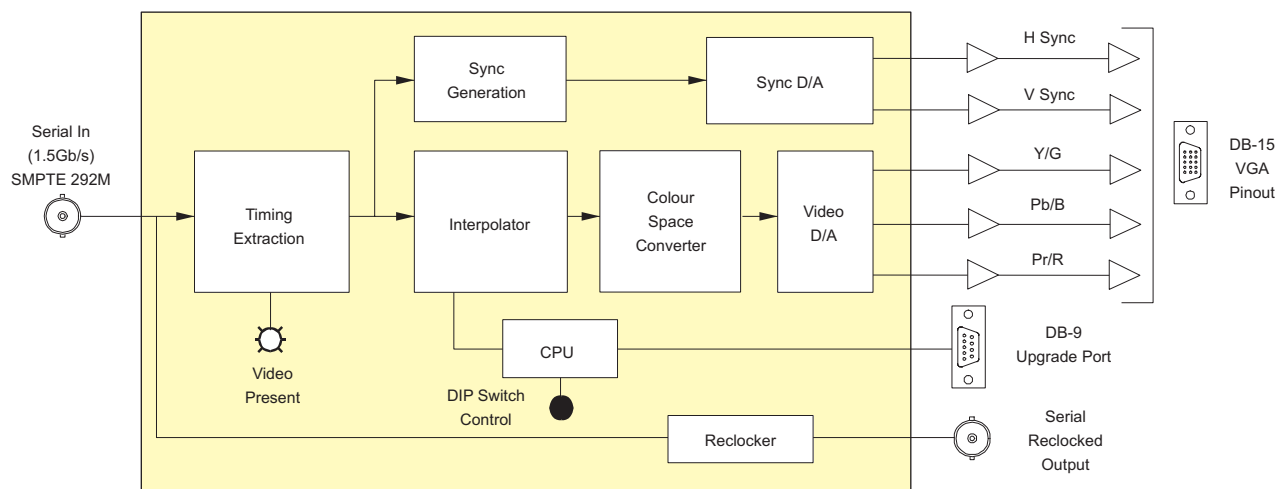
The 2430DAC-HD is a professional quality digital to analog converter for HDTV. It supports all signal standards specified in SMPTE 240M, SMPTE 274M and SMPTE 296M.

DIP switch control allows the user to select between YPrPb, RGB or VGA style analog outputs with a variety of sync output options. User-controlled 4:3 alignment markers also allow for convenient framing of the video signal. With the optionally supplied VGA to BNC breakout cable the 2430DAC-HD can easily interface to either standard broadcast monitors or VGA computer monitors.



►Features & Benefits

- Support for all SMPTE 240M, 274M and 296M video formats
- 4:3 alignment markers
- Full 10-Bit Broadcast quality
- 4:4:4 interpolated component output
- DIP switch selectable YPrPb, RGB or VGA outputs with bi-level or tri-level sync
- 15-pin VGA connector for use with VGA computer monitors
- Front panel LEDs indicate video presence, module faults



►Specifications

Serial Video Input:

Standard: SMPTE 292M (1.485Gb/s)
SMPTE 240M (1035i)
SMPTE 274M (1080i, 1080psF,
1080p except 1080p/60 & 1080p/59.94)
SMPTE 296M (720p)
Connector: 1 BNC per IEC 61169-8 Annex A
Equalization: Automatic 125m @ 1.5Gb/s with
Belden 1694A (or equivalent)

Serial Video Output Reclocked:

Standard: Same as input
Number of Outputs: 1
Connector: BNC per IEC 61169-8 Annex A
Signal Level: 800mV nominal
DC Offset: 0V ±0.5V
Rise and Fall Time: 200ps nominal
Overshoot: < 10% of amplitude
Wide Band Jitter: < 0.2 UI

Analog Video Outputs:

Standard: SMPTE 240M, 274M or 296M - same
as input
Connector: 15-pin high density female D type
Signal Level:
Video: 1V p-p nominal YPrPb/RGB or 0.7V p-p
nominal VGA
300mV or 4V
Sync: 75Ω
Impedance:
DC Offset: 0V ±0.1V
Return Loss: > 45dB up to 30MHz

Upgrade Port:

Standard: RS-232
Connector: Female DB-9
Baud Rate: 57600
Format: 8-bits, no parity, 1 stop bits

Electrical:

Voltage: 12V DC, Auto ranging 100-240V AC
50/60Hz adapter included
Power: 6W
Safety: Complies with EU safety directive
EMI/RFI: Complies with FCC Part 15 Class A
EU EMC Directive

Physical:

Dimensions: 6" L x 3.5" W x 1" H
(152mm L x 89mm W x 25mm H)
With Mounting Flanges:
6" L x 4" W x 1" H
(152mm L x 114mm W x 25mm H)
Weight: 0.5lbs (0.28kg)

►Ordering Information

2430DAC-HD HD Miniature D to A: YPrPb/RGB/VGA via High Density DB-15 (with power supply)

Case Option Suffix
+NF

Enclosure without mounting flanges

Note: Enclosure with side mount flanges ships standard

Accessories
WPVGABNC5

VGA to BNC - 6' Monitor Adapter Cable

Ordering Options Fiber Connector must be specified at time of order
Eg: Model +SC