

2408RGBT/DVIT

RGBHV / DVI / KVM Miniature Transmitter

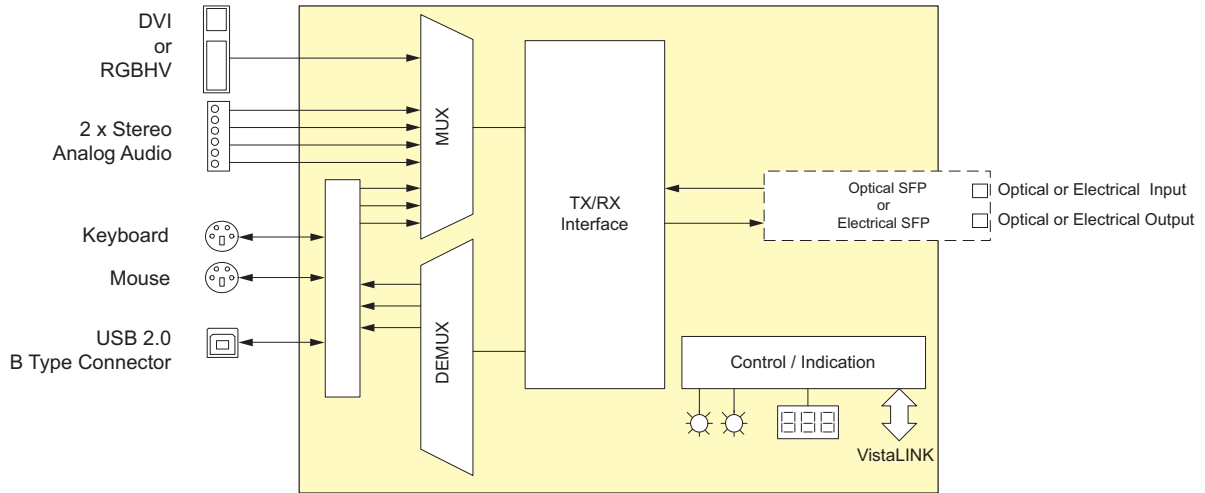
The 2408RGBT and 2408DVIT are miniature VistaLINK® SNMP capable RGBHV/DVI/KVM transmitters for high resolution/high quality RGB and DVI video signals. This self-contained module accepts one analog RGBHV or digital DVI video input up to WUXGA resolution and transmits it over a single or dual fiber or coax. The 2408RGBT/DVIT are also available with analog audio, keyboard + mouse, USB 2.0, and serial data options.

The companion 2408RGRB RGBHV/DVI/KVM Receiver demultiplexes the signals and converts them back to the electrical domain. The fiber output is available in an assortment of optical wavelengths, accommodating 1310/1550nm and CWDM. Optional COAX SFP is also available (see ordering options).

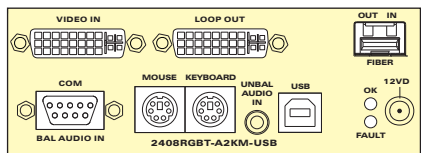
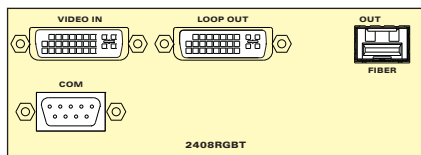
The 2408DVIT provides the same features listed above as the 2408RGBT, however, it only supports a digital (DVI) input.

Features & Benefits

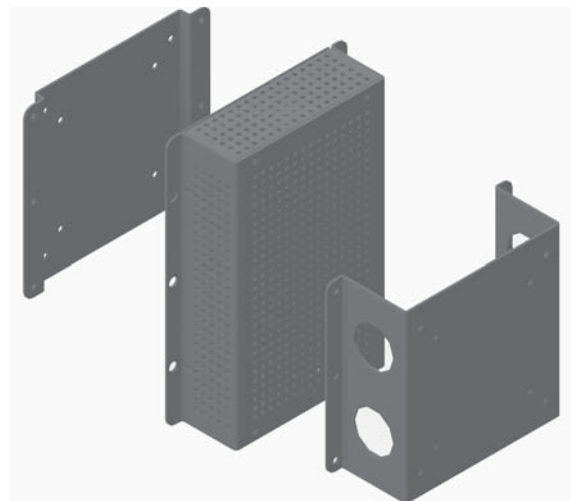
- Supports DVI and/or RGBHV transport over a single fiber/coax
- Both RGBHV and DVI outputs available simultaneously on companion (RGRB Receiver version)
- 3G router compatible for KVMX applications
- VESA video resolutions supported up to WUXGA
- Full 24 bits-per-pixel color resolution
- Ideal for use with high resolution LCD, plasma, and projection screens
- Superior digital data transmission
- No moving parts for noise free operation
- Compact form factor with optional VESA mount brackets (2400VESA)
- Supports single-mode and multi-mode fiber optic cable (contact factory for multi-mode applications)
- Optical output wavelengths at 1310nm, 1550nm and up to sixteen CWDM wavelengths (ITU-T G.694.2 compliant)
- Optional 2 channel stereo analog audio
- Optional keyboard and mouse
- Optional USB 2.0 interface
- Optional +E SNMP Ethernet port and RS-232/RS-422 serial option
- Optional electrical SFP modules (+DIN)



2408RGBT/DVIT Rear Panel and VESA Mount



2408 RGBT/DVIT



2400VESA

Specifications

<p>Video Input: Standards: DVI 1.0, VESA Number of Inputs: 1 Connectors: 28-pin DVI with Analog Video Resolution: Up to WUXGA (1920x1200) at 75Hz Video Bandwidth: 500MHz Color Resolution: 24 bits Analog Output Level: 1V p-p (maximum) Analog Output: Impedance: 75Ω Signal/Noise Ratio: > 55dB</p> <p>Analog Audio Input (A2, A2KM & A2KM-USB versions): Number of Inputs: 2 Type: Balanced and unbalanced analog audio Connector: 3.5mm female stereo (unbalanced), DB9F (balanced) Impedance: High Impedance (> 20kΩ) Frequency Response: ±0.1dB (20Hz to 20kHz) THD: < 0.005% (20Hz to 20kHz) Channel Phase Diff: < ±1° SNR: > 85dB Maximum Input Level: +24dBu Signal Quantization: 24 bits</p>	<p>Keyboard/Mouse, USB Input/Output (A2KM & A2KM-USB versions): Standards: USB 2.0 Number: 2 (A2KM versions), 3 (USB versions) Connector: 2 PS2 for keyboard & mouse 1 USB Type B</p> <p>Optical Output: Number of Outputs: 1 per SFP Connector: Female LC/UPC Wavelengths: Standard: 1310nm CWDM: 1270 - 1610nm Output Power: 1310nm: -2dBm ± 1dBm CWDM: +4dB ± 1.5dBm</p> <p>Optical Inputs (A2KM & A2KM-USB versions): Number of Inputs: 1 per SFP Connector: Female LC/UPC Wavelength: 1270 - 1610nm Maximum Power: -1dBm Optical Sensitivity: Standard: -21dBm</p> <p>Electrical Output: Number of outputs: 1 per SFP Connector: DIN Type 1.0/2.3 connector (75Ω)</p> <p>Electrical Input: (A2KM & A2KM-USB versions): Number of inputs: 1 per SFP Connector: DIN Type 1.0/2.3 connector (75Ω) Equalization: Typical 100m @ 3Gb/s</p>	<p>Electrical: Voltage: 12V DC, Auto ranging 100-240V AC 50/60Hz adapter included Power: 11W (based on options)</p> <p>Physical: Dimensions (with flanges): 7.81"L x 5.63"W x 1.75"H (199mm L x 143mm W x 45mm H)</p> <p>Compliance: Electrical Safety: Power supply UL listed Complies with CE Low voltage Directive Laser Safety: Class 1 laser product Complies with 24 CFR 1040.10 and 1040.11 IEC 60825-1 Complies with FCC Part 15, Class A EU EMC directive</p> <p>EMI/RFI:</p>
--	---	--

Ordering Information

2408RGBT	RGBHV/DVI Transmitter, 3G router compatible (must specify SFP module)
2408RGBT-A2	RGBHV/DVI + 2 Analog Audio Fiber Transmitter, 3G router compatible (must specify SFP module)
2408RGBT-A2KM	RGBHV/DVI + 2 Analog Audio + Bi-di Keyboard and Mouse Transmitter, 3G router compatible (must specify SFP module)
2408RGBT-A2KM-USB	RGBHV/DVI + 2 Analog Audio + Bi-di Keyboard and Mouse + USB 2.0 Transmitter, 3G router compatible (must specify SFP module)
2408DVIT	DVI Transmitter, 3G router compatible (must specify SFP module)
2408DVIT-A2	DVI + 2 Analog Audio Transmitter, 3G router compatible (must specify SFP module)
2408DVIT-A2KM	DVI + 2 Analog Audio + Bi-di Keyboard and Mouse Transmitter, 3G router compatible (must specify SFP module)
2408DVIT-A2KM-USB	DVI + 2 Analog Audio + Bi-di Keyboard and Mouse + USB 2.0 Transmitter, 3G router compatible (must specify SFP module)

Electrical Ordering Options

+DIN SFP Transceiver, DIN Type, supports rates up to 3Gb/s

Optical Ordering Options

+13 SFP Transceiver, 1310nm, standard sensitivity receiver, supports rates up to 3Gb/s

+Cxx SFP Transceiver, CWDM, standard sensitivity receiver, supports rates up to 3Gb/s

Note: xx=27 to 61 and 55= 1550nm laser

Local SNMP Monitoring

+E SNMP Ethernet Port and RS-232/RS-422 serial option

Ordering Options

2400VESA VESA Extension mount for 2400 series RGB/DVI/KVM products

All 2408 models include power supply