

2406ET13-F2

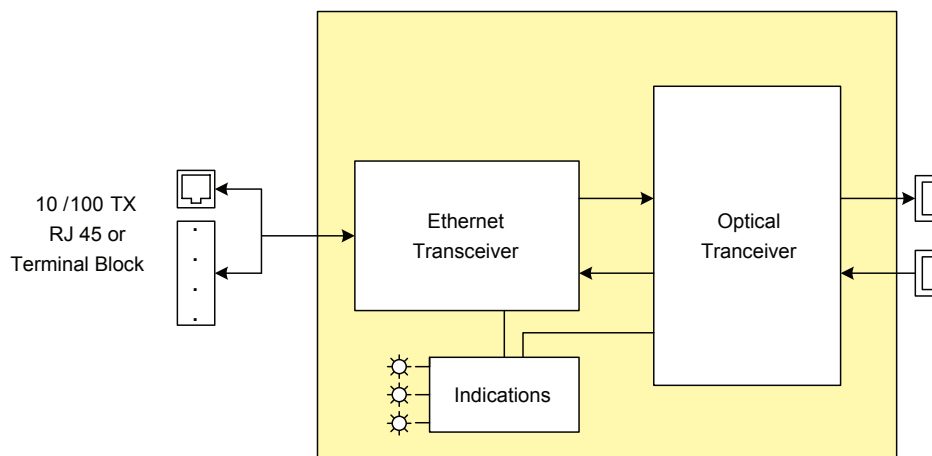
Industrial 10/100M Ethernet to Fiber Optic Converter

The 2406ET13-F2 is a rugged, industrial grade 10/100 Ethernet to fiber optical media converter. It provides an economical method of transmitting one 10/100BaseTX Ethernet channel or one 100BaseFX Ethernet channel over single mode optical fiber. The transceiver is IEEE 802.3 and IEEE802.3u compliant. The 2406ET13-F2 is auto-negotiating for half or full duplex and 10 or 100Mbps data rates. Used as a pair, the maximum end-to-end single mode fiber distance is 20km.



► Features & Benefits

- Enclosed in a rugged, rustless ABS housing
- Direct DIN-Rail or wall/panel mounting without using any unsecured brackets or adapters
- Converts 10/100BaseTX to 100BaseFX fiber optic links
- Transmits 10/100M Ethernet data over a long distance through fiber cables
- Auto-negotiation of speed and duplex mode on TX port
- LED Status indications
- Auto-MDIX on TX port
- Store-and-forward mechanism
- Single-mode fiber with SC connectors
- Built-in surge protection, static protection and circuit protection
- Surface Mount Technology manufactured to RoHS and ISO-9001 standards
- Safety: Strictly certified by TUV (Cert No. SG-CE-100005; SG-FCC-100002)



2406ET13-F2 Block Diagram

► Specifications

| | | |
|---|---|---|
| <p>Compatibility: IEEE802.3 10Base-T; IEEE802.3u 100Base-TX and 100Base-FX</p> <p>Number of signals: 1</p> <p>Power Source: 9-30VDC (External AC to DC power adapter included)</p> <p>External AC/DC Power Adapter: 9VDC/500mA (Input: 100-240VAC 50/60Hz, US type A plug)</p> <p>Features: Auto-negotiation for half/full-duplex and 10/100M on TX port; Auto-MDIX on TX port</p> <p>Switching Method: Store-and-forward</p> <p>Speed: 10BaseT: 10/20Mbps for half/full-duplex 100BaseT: 100/200Mbps for half/full-duplex</p> | <p>Current Consumption: Less than 200mA</p> <p>Wavelength: 1310nm</p> <p>Output Power (Fiber): Single-mode: -15dBm(Min); -10dBm(Typ); -8dBm(Max)</p> <p>Sensitivity (Fiber): Single-mode: -34dBm</p> <p>Usable Fiber Optic Cables: Single-mode: 8.3/125, 8.7/125, 9/125, 10/125µm</p> <p>Distance (Ethernet): 10BaseT: Cat. 3, 4, 5 up to 328ft (100m) 100BaseT: Cat. 5 up to 328ft (100m)</p> <p>Distance (Fiber Lines): Single-mode: 12.4 miles (20km)</p> | <p>Connectors (Ethernet/Power): RJ-45 (Female) / Terminal Block (9-way)</p> <p>Connectors (Fiber Links): 2x SC Connector</p> <p>Surge Protection: 600W</p> <p>Electro-Static Discharge (ESD): Up to 15KV</p> <p>Dimensions (H x W x D): SC: 4.7 x 2.9 x 1.3 in (120 x 73 x 33 mm)</p> <p>Weight: 4.6 oz (129 g)</p> <p>Operating Temperature: -40°F to 185°F (-40°C to 85°C)</p> <p>Operating Humidity: 0 to 90% Non-condensing</p> |
|---|---|---|

► Ordering Information

2406ET13-F2+SC Dual fiber, 1310nm Tx, single mode fiber only