

2406DT13-F2

RS-232/485/422 to Fiber Optic Converter

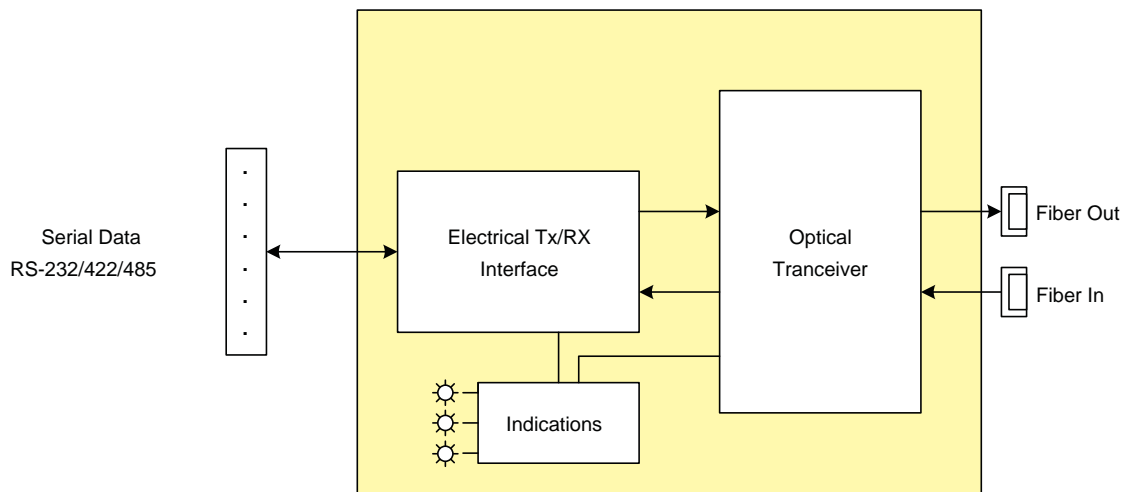
The 2406DT13-F2 is a rugged, industrial grade data transceiver which provides an economical method of transmitting one bi-directional serial RS-232, RS-422, or RS-485 data over a pair of single mode fibers. Used as a pair, the maximum end to end single mode fiber distance is 40km.

The 2406DT13-F2 supports data rates up to 115.2kbps and is capable of autosensing the applied data format.



►Features & Benefits

- Point to point fiber links
- Industrial grade enclosed in a rugged, rustless ABS housing
- LED status indications
- Transmits serial data (RS-232, RS-485 or RS-422) over long distances through fiber cables (Single-mode: 25 miles or 40 km)
- Supports up to 128 nodes of RS-485/422 devices
- Operating temperature: -40°F to 185°F (-40°C to 85°C)
- Built-in 600W surge protection, 15kV static protection and circuit protection



2406DT13-F2 Block Diagram

*Note: Supports one data type at any given time

►Specifications

Compatibility:	EIA/TIA RS-232C, RS-485, and RS-422 standard	Distance (Serial Port):	RS-232: 16ft (5m); RS-485/422: 4000ft (1.2km)
Number of signals:	1	Distance (Fiber Lines):	Single-mode: 25 miles (40km)
Power Source:	9 to 30VDC (External AC to DC power adapter included)	Connectors (Serial Port/Power):	Serial Port/Power: 10-way terminal block
External AC/DC Power Adapter:	9VDC/500mA (Input: 100~240VAC 50/60Hz, US type A plug)	Connectors (Fiber Links):	2x SC Connector
Current Consumption:	Less than 100mA	Surge Protection:	600W
Wavelength:	1310nm	Electro-Static Discharge (ESD):	Up to 15KV
Output Power (Fiber):	Single-Mode: -8dBm(Min); -7dBm(Typ); -5dBm(Max)	Dimensions (H x W x D):	5.0 x 3.6 x 1.3 in (127 x 73 x 33 mm)
Sensitivity (Fiber):	Single-Mode: -35dBm	Weight:	4.6 oz (130 g)
Usable Fiber Optic Cables:	Single-mode: 8.3/125, 8.7/125, 9/125, 10/125µm	Operating Temperature:	- 40°F to 185°F (- 40°C to 85°C)
Serial Data Rates:	300 to 115,200 bps (auto-sensing and self-adjusting)	Operating Humidity:	0 to 90% Non-condensing
Number of Maximum Nodes:	RS-485/422: 128 nodes		

►Ordering Information

2406DT13-F2+SC Dual fiber, 1310nm Tx, single mode fiber only