

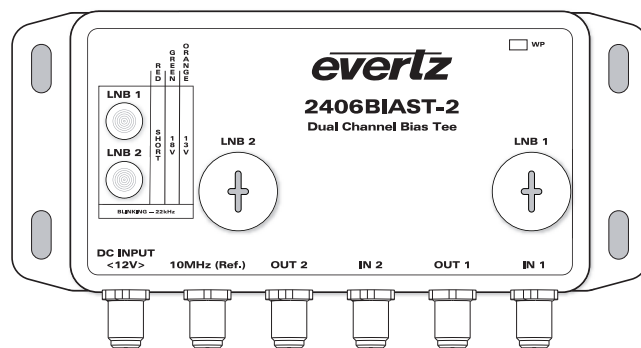
2406BIAST-2

Dual Channel Bias Tee with L-Band/DC Passthrough and 10MHz Reference Mux

The 2406BIAST-2 is a high-performance dual channel Bias Tee, suitable for a wide range of satellite antenna applications. Typical applications are seen when the downstream device of the LNB does not supply the 10MHz reference source and/or DC power. This next generation Bias Tee provides a neat and simple solution to supply the 10MHz and DC power to dual LNBs on the same RF cable as the L-Band outputs of the LNBs.

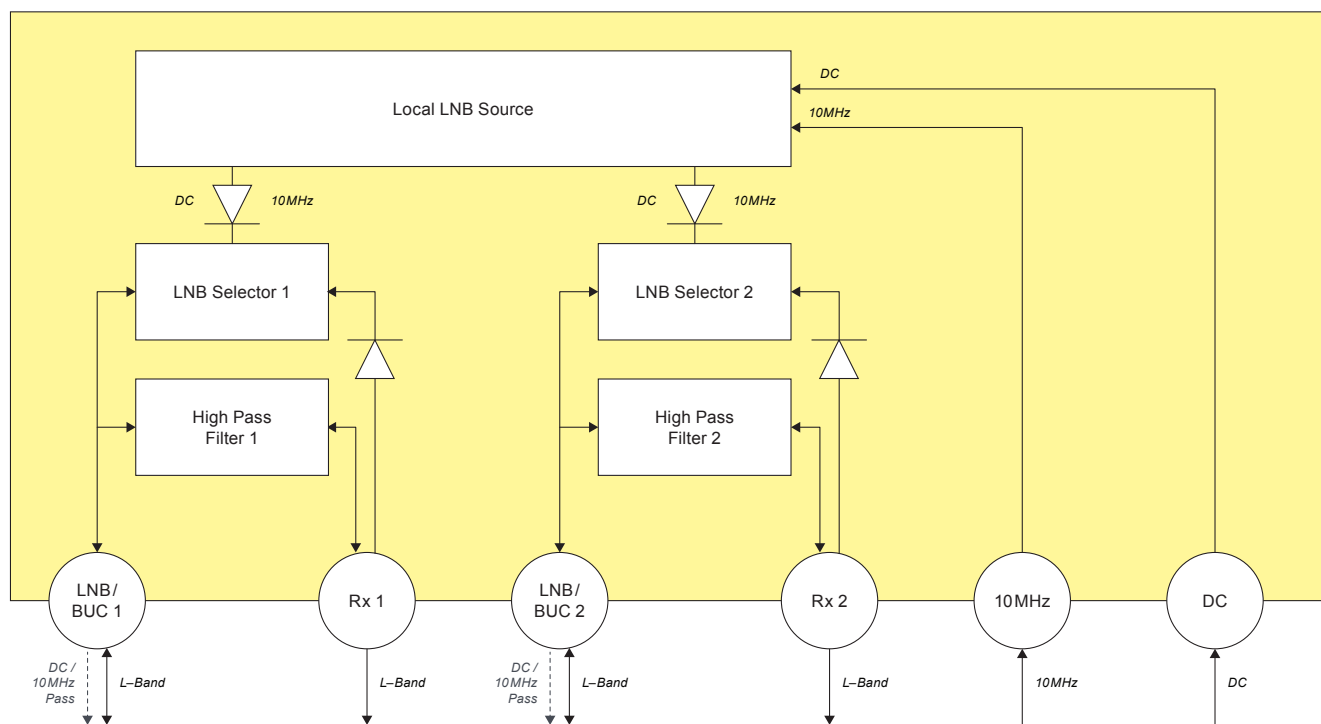
The 2406BIAST-2 comes equipped with 2x L-Band inputs (LNB 1/2), 2x L-Band outputs (Rx 1/2), a 10MHz reference input and DC input. The L-Band inputs come from the LNB and pass through to the L-Band outputs (Rx 1/2) to the downstream devices. The 10MHz input and DC power is multiplexed and sent to both L-Band inputs (LNB 1/2) to supply 10MHz reference and DC power to both LNBs.

The LNBs can be powered by the downstream device if applicable (i.e. Evertz RF over Fiber transmitter) as the 2406BIAST-2 features DC passthrough. If the downstream devices do not have DC power or if external DC power is preferred, an external DC input is available for a current up to 1000mA.



Features & Benefits

- Compact, mountable form factor
- DC passthrough for LNB power
- External DC input
- Weatherproof, IP65-rated (+WP option)
- Compatible with LNBs, BUCs, modems and more
- Dual channel to support two LNBs
- 22kHz tone on/off LNB local oscillator control, DiSEqC protocol
- Low insertion loss
- Passive device for high reliability
- Low passband ripples
- Can be mounted inside Evertz' 2400ODU Integrated Fiber Transport System



► Specifications

Connectors:		LNB Power Supply and Control:		Physical:	
L-Band Inputs:	2	Voltage:	13/18V DC, off (selectable)	Dimensions (with flanges):	
L-Band Outputs:	2	LO Control:	22kHz on/off (selectable) DiSEqC		5.4" L x 2.4" W x 1.2" H
10MHz Inputs:	1	Max. Current:	1000mA		(138mm L x 61mm W x 31mm H)
DC Inputs:	1	Protection:	Short circuit, overload	Environmental:	
Connectors:	F-Type (SMA, BNC optional)	Conductor Range:	23–18 AWG (0.26–0.82 mm ²)	Operating Temp:	-40 to +80°C
Impedance:	75Ω (50Ω optional)			Relative Humidity:	Up to 100% condensation and frost
		10MHz Reference (external):		Dust/Water Protection:	IP65 (+WP version)
L-Band:		Connector:	50Ω BNC		
Frequency Range:	100–2500MHz	Input Frequency:	10MHz		
Thru Loss:	0.5dB maximum	DC Input:			
Ripple/Flatness:	±0.5dB maximum	Voltage:	+18V DC nominal, +11 to +18VDC range (> LNB min input voltage required when powering an LNB)		
Input VSWR:	1.5:1 maximum				
Output VSWR:	1.5:1 maximum				
Input Return Loss:	14dB				
Output Return Loss:	15dB				

► Ordering Information

2406BIAS-2 High performance dual-channel Bias Tee, passes through DC and L-Band with a 10MHz reference multiplexer; external DC input option for built-in LNB powering
(external power supply sold separately)

Ordering Options:

+WP Weatherproof option
+PS External DC power supply brick, 100–240 V AC auto-ranging input, indoor mounting with F-Type connector

Connector Options:

-S50 50Ω, SMA connectors
-B50 50Ω, BNC connectors