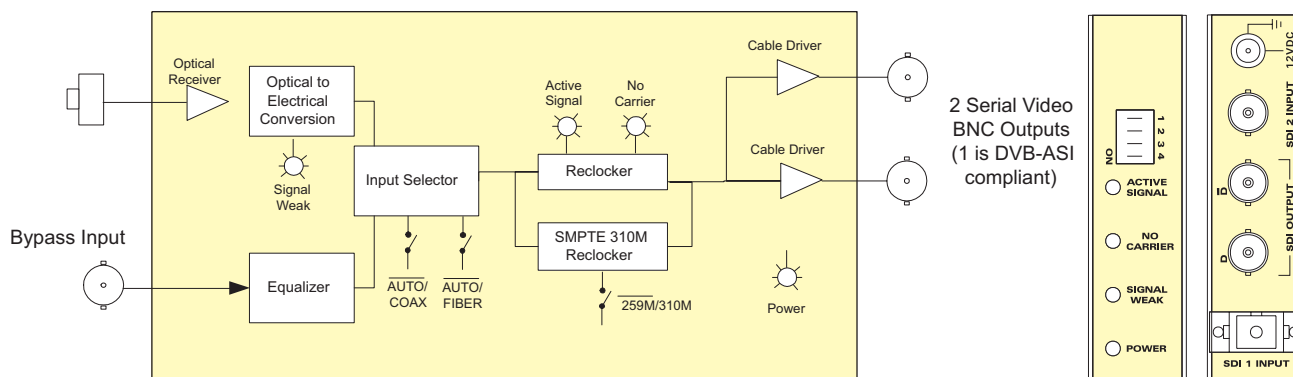
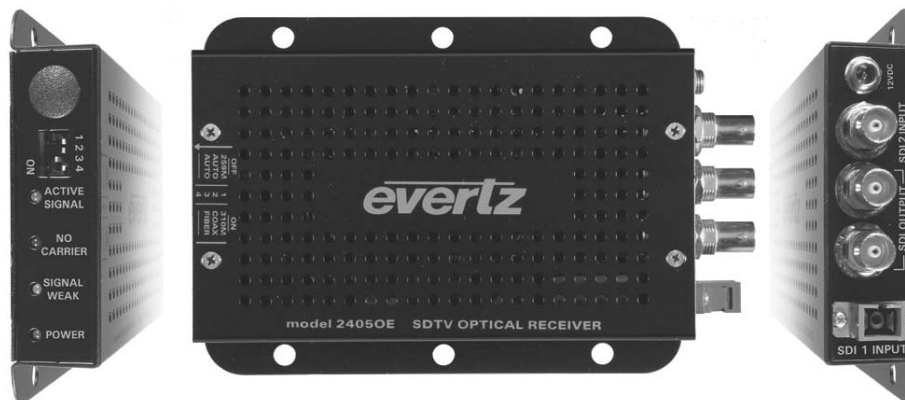


►Features & Benefits

- Reclocking for all SDTV video rate including SMPTE 259M (143Mb/s-540Mb/s), SMPTE 310M (19.4Mb/s), SMPTE 344M (540Mb/s), M2S and DVB-ASI (270Mb/s)
- Automatic signal failure switching for optical input
- Immunity to video Pathological signals
- Supports single-mode and multi-mode fiber optic cable (contact factory for multi-mode applications)
- Rugged, small form factor enclosure
- Low Power, +12V DC operation
- Backwards capability with 7705 & 7707EO modules



►Specifications

Standards SMPTE 259M (A, B, C, D), SMPTE 297M, SMPTE 310M, SMPTE 344M, M2S, DVB-ASI

Serial Video BNC Input:

Number of Inputs: 1
 Connector: 1 BNC per IEC 61169-8 Annex A
 Equalization: Automatic to 300m @ 270Mb/s with Belden 8281 (or equivalent)
 Return Loss: > 15dB up to 540MHz

Optical Input:

Number of Inputs: 1
 Operating Wavelength: 1270nm to 1610nm
 Maximum Input Power: 0dBm
 Optical Sensitivity: -30dBm
 Connector: SC/PC, ST/PC, FC/PC Female Housing

Serial Video BNC Output:

Number of Outputs: 2 (1 output DVB-ASI/M2S compliant)
 Connector: 1 BNC per IEC 61169-8 Annex A
 Signal Level: 800mV nominal
 DC Offset: 0V ±0.5V
 Rise, Fall Time: 900ps nominal
 Overshoot: < 10% of amplitude
 Return Loss: > 15dB up to 540MHz
 Wideband Jitter: < 0.2 UI

Physical:

Dimensions: With Flanges: 6"L x 4"W x 1"H (152mm L x 114mm W x 25mm H)
 Weight: 0.5lbs (0.28kg)

Electrical

Voltage: Auto ranging 100-240V AC 12V DC 50/60Hz (adapter included)
 Power: 6W

Compliance:

Safety: Power supply UL Listed
 Complies with EU low voltage Directive

Transmitter Compatibility Chart:

MODEL #	SD-SDI/DVB-ASI	HD-SDI
2405/7705/7707EO	x	
2405/7705/7707EO-HD	x	
7705/7707EO-3	x	
7705/7707EO-3-HD	x	
7707ADVT	x	
7707ADVT-HD	x	
7707VAT-HD	x	

►Ordering Information

2405OE SDI Miniature Optical Receiver, 19.4Mb/s or 143-540Mb/s

Ordering Options Rear Plate and Fiber Connector must be specified at time of order
 Eg: Model +SC +3RU

Connector Suffix

+SC SC/PC
 +ST ST/PC
 +FC FC/PC

Fiber Optic Patch Cable
 See CWDM & DWDM Ordering Information Page