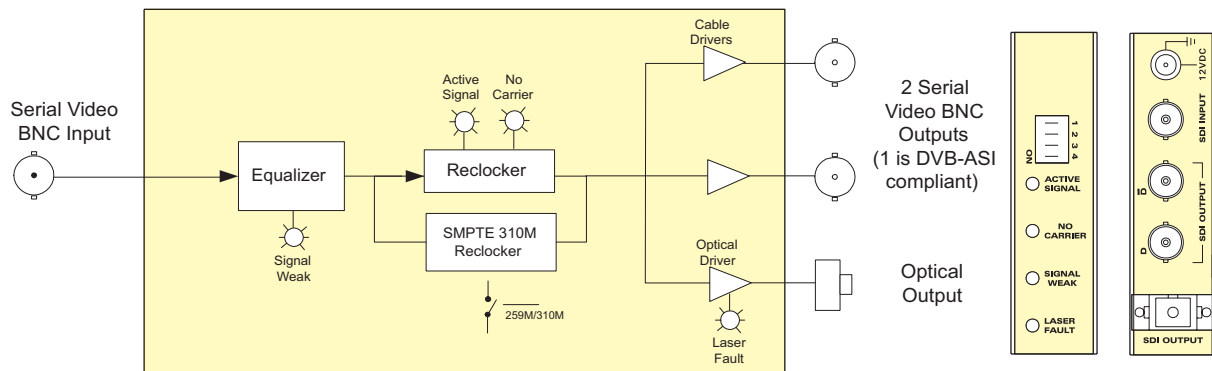


### ► Features & Benefits

- Reclocking for all SDTV video rates including SMPTE 259M (143Mb/s-360Mb/s), SMPTE 310M (19.4Mb/s), SMPTE 344M (540Mb/s), M2S, and DVB-ASI (270Mb/s)
- Available in 1310nm, 1550nm and up to sixteen different CWDM wavelengths (ITU-T G.694.2 compliant)
- Automatic laser shutdown on absence of input signal for extended laser life
- Supports single-mode and multi-mode fiber optic cable (contact factory for multi-mode applications)
- Immunity to video Pathological signals
- Long reach transmission capability
- Rugged, small form factor enclosure
- Low Power, +12V DC operation
- Backwards capability with 7705 & 7707OE modules



### ► Specifications

**Standards :** SMPTE 259M (A, B, C, D), SMPTE 297M, SMPTE 310M, SMPTE 344M, M2S, & DVB-ASI

#### Serial Video BNC Input:

Number of Inputs: 1  
 Connector: 1 BNC per IEC 61169-8 Annex A  
 Equalization: Automatic to 300m @ 270Mb/s with Belden 8281 (or equivalent)  
 Return Loss: > 15dB up to 540MHz

#### Serial Video BNC Output:

Number of Outputs: 2 (1 output DVB-ASI/M2S compliant)  
 Connector: 1 BNC per IEC 61169-8 Annex A  
 Signal Level: 800mV nominal  
 DC Offset: 0V ±0.5V  
 Rise, Fall Time: 900ps nominal  
 Overshoot: < 10% of amplitude  
 Return Loss: > 15dB up to 540MHz  
 Wideband Jitter: < 0.2 UI

#### Optical Output:

Number of Outputs: 1  
 Connector: SC/PC, ST/PC, FC/PC Female  
 Return Loss: > 14dB  
 Rise, Fall Time: 400-700ps  
 Jitter: < 0.2 UI  
 Optical Power: 1310nm FP: -7dBm ±1dBm  
 1550nm DFB: 0 dBm ±1dBm  
 CWDM DFB: 0 dBm ±1dBm

#### Physical:

Dimensions: With Flanges: 6"L x 4"W x 1"H (152mm L x 114mm W x 25mm H)  
 Weight: 0.5lbs (0.28kg)

#### Electrical:

Voltage: Auto ranging 100-240V AC 12V DC 50/60Hz (adapter included)  
 Power: 6W

#### Compliance:

**Safety:** Power supply UL Listed Complies with EU low voltage Directive  
**Laser Safety:** Class 1 laser product Complies with 24 CFR 1040.10 and 1040.11 IEC 60825-1  
**EMI/RFI:** Complies with FCC Part 15, Class A EU EMC directive

#### Receiver Compatibility Chart:

MODEL #	SD-SDI/DVB-ASI	HD-SDI
2405/7705/7707OE	x	
2405/7705/7707OE-HD	x	
7705/7707OE-3	x	
7705/7707OE-3-HD	x	
7707ADVR	x	
7707ADVR-HD	x	
7707VAR-HD	x	

### ► Ordering Information

**2405EO3F** SDI Miniature Optical Transmitter 1310nm FP, Laser  
**2405EO5D** SDI Miniature Optical Transmitter 1550nm DFB, Laser

For CWDM, please refer to the end of the fiber section for ordering information  
**2405EOxx** SDI Miniature Optical Transmitter CWDM DFB Laser

All 2405 modules include power supply

**Ordering Options** Fiber Connector must be specified at time of order  
 Eg: Model +SC

#### Connector Suffix

+SC SC/PC  
 +ST ST/PC  
 +FC FC/PC

#### Fiber Optic Patch Cable

See CWDM & DWDM Ordering Information Page