

2400PSUA-8

Eight Output Power Supply for 2408T/LT, 2406LR



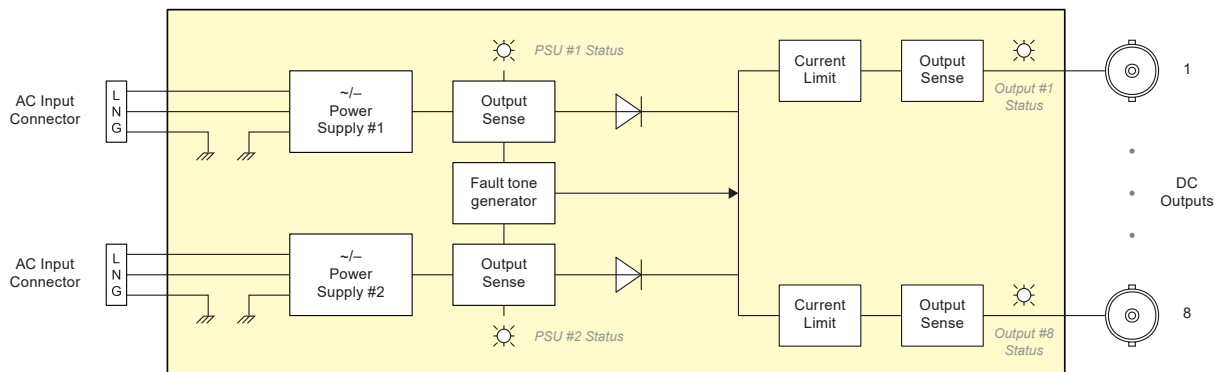
Features & Benefits

- Provides diode-isolated, redundant DC power for up to 8x modules and upstream LNBs
- Active short circuit for protection of each DC output
- LED indicators display the status of each power supply and DC output
- PSU status signal output for remote monitoring via connected SmartMON™ capable fiber transmitter
- Weatherproof option available for mounting outdoors

The 2400PSUA-8 is an eight-channel power supply for select 2408 and 2406 series RF over Fiber modules. When paired with 2408LT transmitters or 2406BIAS-2 bias tee, it will also supply DC power for upstream LNBs or downstream BUCs/LNAs.

Two AC inputs with short circuit protection are provided, along with dual, diode-isolated, redundant DC power supplies.

For outdoor applications, the 2400PSUA-8 is also available in an IP65 weatherproof (-WP) version. When housed inside of the 2400ODU-8 outdoor enclosure, the 2400PSUA-8 is an ideal solution to power up to eight fiber modules, including 2406DT Serial Transceivers and 2406ET Ethernet Transceivers for motorized antenna control.



2400PSUA-8

Eight Output Power Supply for 2408T/LT, 2406LR



Specifications

Power Input:

Number of Inputs: 2
Connector: IEC320 inlet connectors included
Voltage: Auto-ranging, 100–240V AC
Frequency: 50/60Hz
Power: 1 Amp max.

Power Output:

Number of Outputs: 8
Protection: Short circuit, current limit
Connector: F-Type
Voltage: 18 ±1V DC per output
Current: 850mA max. per output; total of 4 Amps across all outputs

Physical:

Dimensions: 5.7" W x 9.9" L x 2.0" D (146 x 252 x 51 mm) including flanges

Safety:

TUV listed to CAN/CSA-C22.2 No. 62368-1:2014, UL 62368-1:2014, IEC 60065:2001 + Amd 1:2005, CAN/CSA C22.2 No. 60065:03, UL 60065:2007

EMI/RFI:

Complies with FCC Part 15, Subpart B EN 55022:1998 ICES-003

Environmental:

Temperature: -20–70°C
Dust and Water Protection: IP65 (-WP versions only)

Ordering Information

2400PSUA-8

Eight channel power supply for 2406/8LT/ LR series

2400PSUA-8-WP

Eight channel weather proof power supply for 2406/8LT/LR series