

1200DD, 1201DD

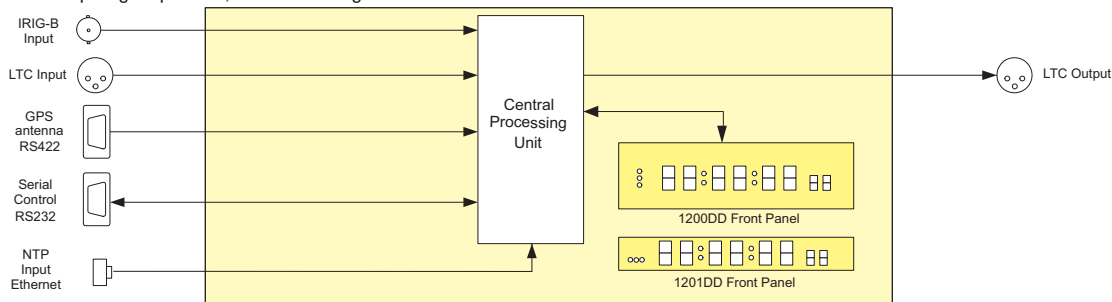
Data Digital Displays

The 1200DD Series Digital Data Displays are LED digital clocks with 7-segment-digits display. They may operate as a timecode-reading clock or as a SMPTE 12M-1 linear timecode reader, simply displaying the input timecode. In addition to SMPTE 12M-1 timecode, the clock can operate on the internal quartz time base from IRIG-B, a GPS antenna or NTP. This multi-way reference capability allows easy integration into new or existing clock systems.

The 1200DD clock face has 2.25" tall digits that may display HH:MM:SS AM/PM or HH:MM:SS FF, depending on the control settings. The model 1201DD clock face has 1.00" tall digits that may display HH:MM:SS AM/PM or HH:MM:SS FF, depending on the control settings. The brightness of the digital LEDs is adjustable.

Clock installation is simple when one of the time sources is available. Apply power, connect time, select the input source and the clock takes care of the rest, instantly setting to the correct time. If the time source fails, the two small character displays flash twice per second to signal its absence. Any time discrepancy on return of timecode is instantly corrected. This also applies to time changes such as Standard Time to Daylight Saving Time.

The 1200DD series displays may be preset to display an offset from local time. This local offset allows the display of any or all time zones at one location. This offset is user-programmable from -12 hours to +12 hours. When no source of timecode is available, the 1200DD series displays may be configured as a timecode generator, using its internal quartz crystal or GPS or IRIG-B or NTP. When used as a generator, the 1200DD series displays can drive multiple high impedance, timecode reading devices.



If AC power is lost, the 1200DD series displays maintain time internally via a crystal oscillator powered by a lithium battery. The display will show this time if no input time source is available on power up.

The rear panel input and output connectors for timecode are XLR connectors. The IRIG-B input is a BNC and the NTP is a RJ-45 Ethernet connector. The GPS input is a DB9 connector. The GPS feature requires the +GP option be purchased. When operating with no time source, the clock time can be easily set by means of three miniature pushbuttons on the front panel, which are also used to control the setup menu.

►Features & Benefits

- Completely self-setting with SMPTE 12M-1 LTC timecode input or battery back-up
- Built-in quartz time base oscillator with battery back-up
- May be operated as a timecode reader for use with countdowns
- Digital display is user-selectable between HH:MM:SS, 12/24 hour, HH:MM:SS FF and date
- IRIG reader reads 1kHz IRIG-B format sine wave amplitude modulated code (format B122)
- Optional GPS receiver
- May be configured as a timecode generator to drive other clocks
- LED brightness is adjustable
- Runs on 50/60Hz, 115/230V AC power line
- User-programmable time offsets
- Rack mount
- VistalINK® control for device configuration and status monitoring with support of the CP-2232E or CP-2116E-H Advanced Systems Control Panel
- Programmable daylight saving time start & end times
- NTP client
- Standard Red LEDs (Green Optional -G)
- Compatible with Evertz UDT protocol

►Specifications

Linear Time Code Input: Standard: SMPTE 12M-1 linear time code - 24, 25 or 30 Fps nominal Impedance: > 30kΩ, balanced Connector: 3-pin female XLR Level: 1V to 4.5 p-p	Time Keeping: Accuracy: < 2 seconds per day with power on, no timecode present Time Zone Offset: 0 to 23½ hours in ½ hour increments Set with menu	Electrical: Power: 12V DC, 15W auto ranging 100 to 240V AC, 50/60Hz adapter included Power Supply: UL Listed Safety: Complies with EU low voltage directive EMI/RFI: Complies with FCC Part 15 Class A EU EMC Directive
IRIG Reader Input: Standard: IRIG 200-95 FORMAT B122 Connector: BNC per IEC 61169-8 Annex A Level: 0.2 to 4V p-p unbalanced	GPS Receiver (+GP option): Temperature: -30°C to +70°C Humidity: 95% R.H. Condensing at 60°C Dimensions: 5.8" D x 3.9" H (147mm x 100mm) Max. Cable Length: 400 feet	Physical: Dimensions 1200DD 19" W x 3.5" H x 2.75" D (483mm W x 90mm H x 70mm D) 1201DD 19" W x 1.75" H x 2.75" D (483mm W x 45mm H x 70mm D) Weight: 1200DD 3 lbs (1.5kg) 1201DD 2 lbs (1kg)
Linear Time Code Output: Standard: SMPTE 12M-1 Impedance: Lo-Z, balanced Level: 2V p-p nominal unloaded Connector: 3-pin male XLR	Ethernet: Network Type: Ethernet 100 Base-TX IEEE 802.3u standard for 100Mb/s baseband CSMA/CD local area network Ethernet 10 Base-T IEEE 802.3 standard for 10Mb/s baseband CSMA/CD local area network Connector: RJ-45 NTP Standard: RFC-1305 compliant, client mode support	Controls: Front: 3 pushbuttons Rear: Serial port com Local Offset: Any amount, user selectable
Serial Port: Connector: Female DB-9 Level: RS-232 Baud Rate: 57.6kBaud Format: 8 data bits, no parity, 2 stop bits	Backup Battery: Type: CR-2032 3 volt lithium cell Life expectancy: > 5 years	

►Ordering Information

1200DD	2RU Rack-mount Digital Display
1201DD	1RU Rack-mount Digital Display
1200DD-G	2RU Rack-mount Digital Display - Green LEDs
1201DD-G	1RU Rack-mount Digital Display - Green LEDs

Ordering Options & Accessories

+GP	GPS Option (includes GPS receiver and 50' weatherproof cable)
WA-T76	100' weatherproof cable for GPS receiver
WA-T11	400' weatherproof cable for GPS receiver